

公司简介 Company profile

曼菲过滤的宗旨是确保生产的过滤设备具有高性能，能够满足客户的需求，并致力于提供优质的服务。

The purpose of ManFei Filtration is to ensure that the filtration equipment produced has high performance, can meet the needs of customers, and is committed to providing quality service.

我们设计、开发并生产基本过滤器以及各种复杂的过滤应用包括板式过滤和电控过滤单元和系统

We design, develop and manufacture basic filters as well as a wide range of complex filtration applications including plate filtration and electronically controlled filtration units and systems.

质量理念渗透在我们的每个部门，我们的员工深知自己手中的产品是用户所需要的。

Quality philosophy permeates every department of our company, and our employees know that the products they produce are what customers need.



吸油滤芯系列

MF/WU Strainer

最大流量:1000L/min
Maximum flow rate:1000L/min
最大压力:10bar
Maximum pressure:10bar



性能参数 Specifications

流动方向:从外到内

工作温度:-30°C ~ +110°C

接口尺寸:G1/2~G4

过滤材料:不锈钢网

特点:

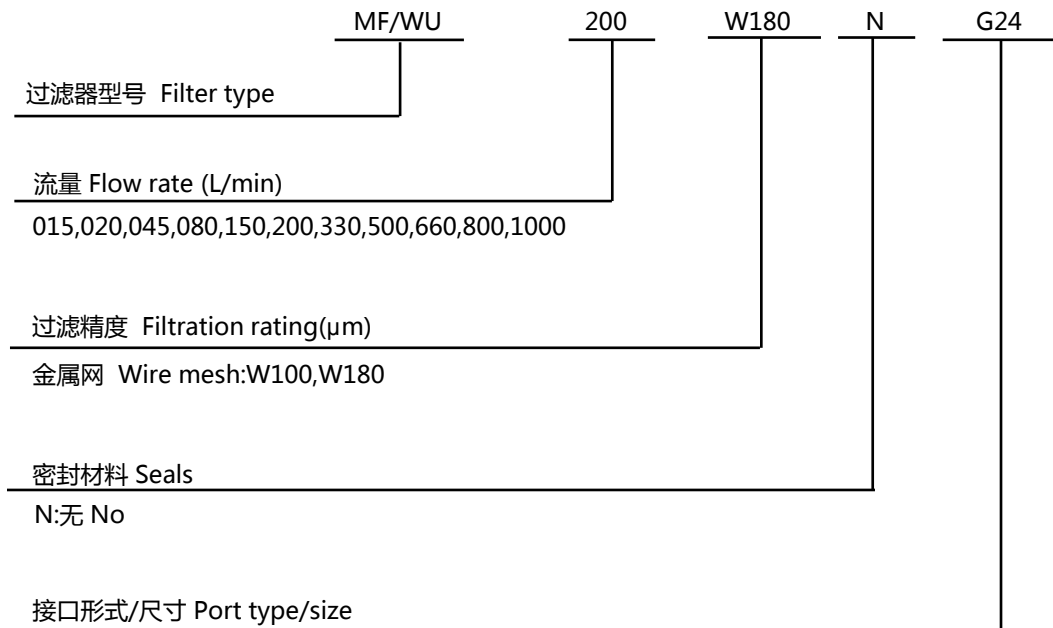
1.必须安装在油箱液面以下

2.可反复清洗使用

工作介质相容性

适合矿物油、人工合成油,其它介质咨询公司技术部门

订货代码 Ordering code



Flow direction: From outside to inside

Operating temperature:-30°C ~ +110°C

Interface size:G1/2~G4

Filter material: stainless steel mesh

Features:

1.It must be installed below the liquid level of the fuel tank

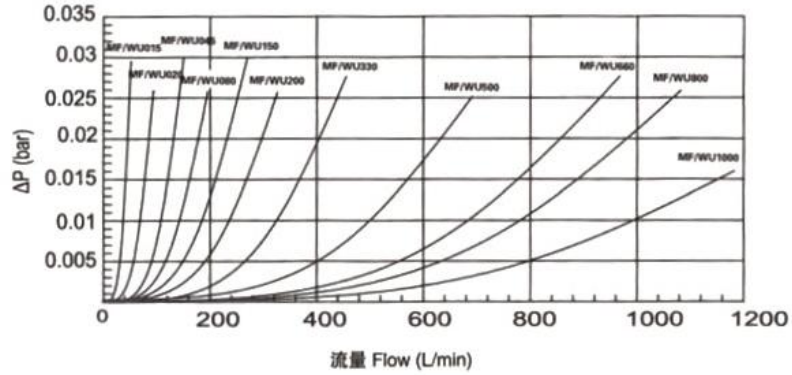
2.Can be cleaned and used repeatedly

Working medium compatibility

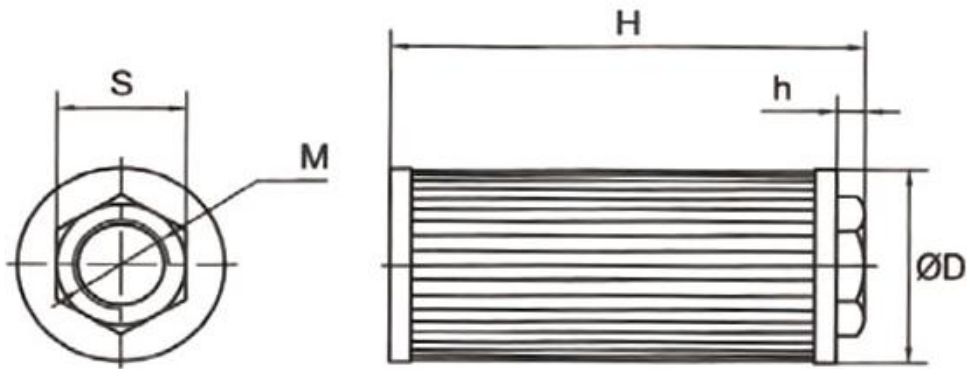
Suitable for mineral oil,synthetic oil, other media consulting company technical department

型号 type	接口尺寸、类型 Interface size and type	D 外径O.D. D External diameter OD	订货代码 Order code
MF/WU015	G3/8 BSP	70	G06
MF/WU020	G1/2 BSP		G08
MF/WU045	G3/4 BSP		G12
MF/WU080	G1 BSP	100	G16
MF/WU150	G1-1/4 BSP		G20
MF/WU200	G1-1/2 BSP		G24
MF/WU330	G2 BSP	140	G32
MF/WU500	G2-1/2 BSP		G40
MF/WU660	G3	180	G48
MF/WU800	G3-1/2 BSP		G56
MF/WU1000	G4 BSP		G64

压降曲线 Pressure Drop Curves



外形安装尺寸 Dimensions



型号 type	M	D	H	h	S	
MF/WU015	G ³ /8	70	100	13	35	
MF/WU020	G ¹ /2					
MF/WU045	G ³ /4		140			
MF/WU080	G1	100	140		60	
MF/WU150	G1- ¹ /4		180			
MF/WU200	G1- ¹ /2		210			
MF/WU330	G2	140	237		90	
MF/WU500	G2- ¹ /2		257			
MF/WU660	G3	180	280		35	140
MF/WU800	G3		330			
MF/WU1000	G4		400			

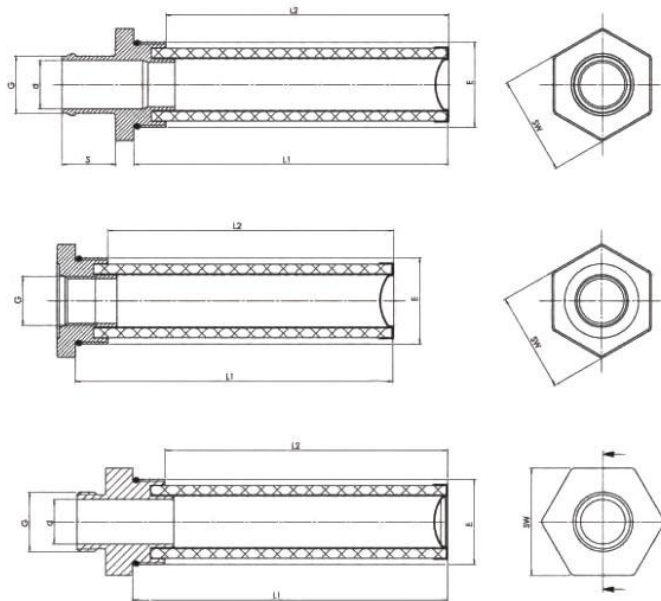
MF/SFE 吸油滤芯 MF/SFE Strainer



最大流量:190L/min
Maximum flow rate:190L/min

Suction filter element S.. for mounting on the outside of tank

Type SFE



型号 Type	G	E	d	L1	L2	SW
0110 SFE 125 W	38.1	2 1/8-12 UN 2 B	32	176	158	70
0070 SFE 125 W	32.0	1 7/8-12 UNF	25	176	158	55
0060 SFE 125 W	32.0	1 7/8-12 UNF	25	143	125	55
0070 SFE 125 W	1 1/16-12 UN	1 7/8-12 UNF	-	176	158	55
0060 SFE 125 W	1 1/16-12 UN	1 7/8-12 UNF	-	143	125	55
0110 SFE 125 W	G 1 1/2	2 1/8-12 UN 2 B	34	176	158	70
0070 SFE 125 W	G 1	1 7/8-12 UNF	25	176	158	55
0040 SFE 125 W	G 3/4	1 7/8-12 UNF	20	143	125	55

性能参数 Specifications

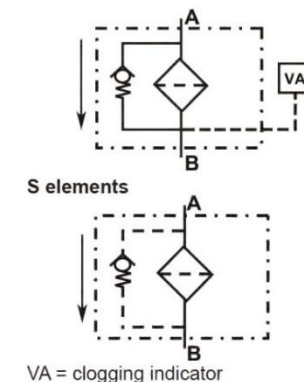
流动方向:从外到内
工作温度:-30°C~+110°C
接口尺寸:参照图表
密封材料:丁腈橡胶、氟橡胶
过滤材料:不锈钢网

特点:

- 1.采用不锈钢网过滤材料,可反复清洗使用
 - 2.滤芯高度和总高度可以按照需要生产
- 工作介质相容性
适合矿物油、人工合成油,其它介质咨询公司技术部门

Flow direction: From outside to inside
Operating temperature:-30°C~+110°C
Interface size: Refer to the chart
Sealing material: nitrile rubber, fluorine rubber
Filter material: stainless steel mesh
Features:

- 1.Stainless steel mesh filter material, can be repeatedly cleaned and used
 - 2.The height and total height of the filter element can be produced according to needs
- Working medium compatibility
Suitable for mineral oil,synthetic oil, other media consulting company technical department



性能参数 Specifications

用途: 油箱内置吸油滤芯

接口尺寸: $\varnothing 48.5 \text{ mm} \sim \varnothing 154.5 \text{ mm}$

流量: 至1400 L/min

滤芯压差: 1 bar

密封: 丁腈橡胶或氟橡胶 (-10°C至100°C)

材料: 上下端盖: 镀锌钢板

与介质相容性: 适用于矿物油、润滑油、抗燃油和可快速生物分解的介质
(若用于含水介质, 请咨询我们的技术部。)

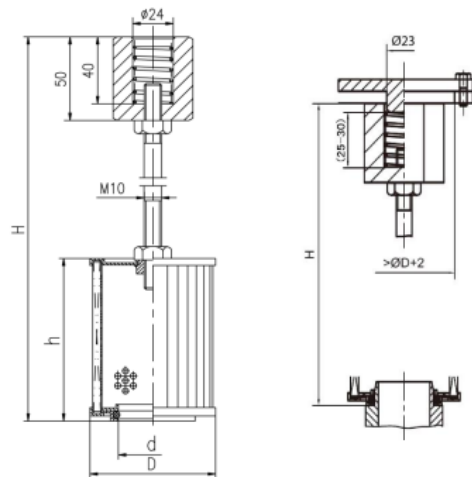
测试标准: ISO2942 滤芯结构完整性试验

ISO2943 材料与液体相容性检验

ISO3723 滤芯额定轴向载荷检验

ISO3968 压降流量特性的评定

外形安装尺寸 Dimensions



订货信息 Ordering information

总成型号

滤芯							
	型号	规格	过滤精度	密封	h	H	特殊
	MF/EF	表1	表2	表3	表1	表1	表4
示例	MF/EF	9	W1000	B	150	680	x

滤芯型号

滤芯					
	型号	规格	过滤精度	密封	h
	MF/EF	表1	表2	表3	表1
示例	MF/EF	9	W1000	B	150



表1

EVO型号	流量 (L/min)	d	D	h	H
MF/EF4	140	48.5	90	143	205-755
MF/EF9	330	59.5	120	100-200	270-780
MF/EF10	350	61.0	125	163	270-780
MF/EF11	500	89.5	150	135-300	305-810
MF/EF12	600	100.0	150	98-195	305-810
MF/EF15	1000	114.5	200	195-385	305-810
MF/EF16	1400	154.5	200	390	500-1060

表2

材料	原材料	过滤精度	压差
W60	金属网	60μm	1 bar
W100	金属网	100μm	1 bar
W180	金属网	180μm	1 bar

表3

密封	材料
B	丁腈橡胶
V	氟橡胶

表4

特殊	
x	无
22	弹簧座内径∅ 22 mm
25	弹簧座内径∅ 25 mm
M12	连杆连接螺纹 M12

图表中仅仅罗列了标准型号。滤芯高度和总高度可以按照需求来制作。不同的连接尺寸 (d) 和外径(D) 也可以按需求批量定制。

回油过滤器

MF/RF Return Filter

最大流量:1300L/min

Maximum flow:1300L/min

最大压力:10bar

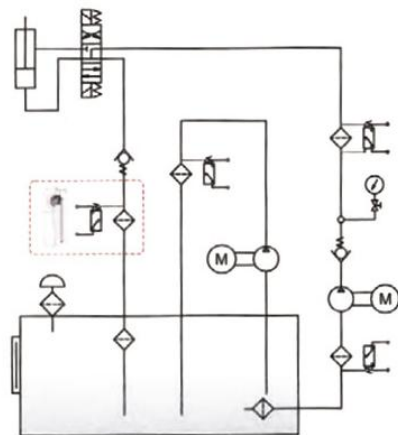
Maximum pressure:10bar



性能参数 Specifications

结构类型:管路型
安装方式:油箱顶部安装
流动方向:从进口进入,往垂直向下的出口流出
工作温度:-10°C~+110°C
接口形式:BSPP公制螺纹,SAE法兰
密封材料:丁腈橡胶、氟橡胶
过滤材料:玻纤、滤纸、不锈钢网
旁通阀&指示器设定 3.0bar 2.0bar
特点:
1.成本低
2.坚固耐用的滤头组件
3.拆卸安装方便快捷

Installation method:Top installation of hydraulic tank
Flow direction: entering from the entrance and exiting from the vertical downward exit
Operating temperature:-10°C~+110°C
Interface type: BSPP metric thread,SAE flange
Sealing material: nitrilerubber, fluorine rubber
Filter material: glass fiber,filter paper, stainless steel mesh
Bypass valve & indicator Settings 3.0bar 2.0bar
Features :
1.low cost
2.Robust filter head assembly
3.Easy to disassemble and install

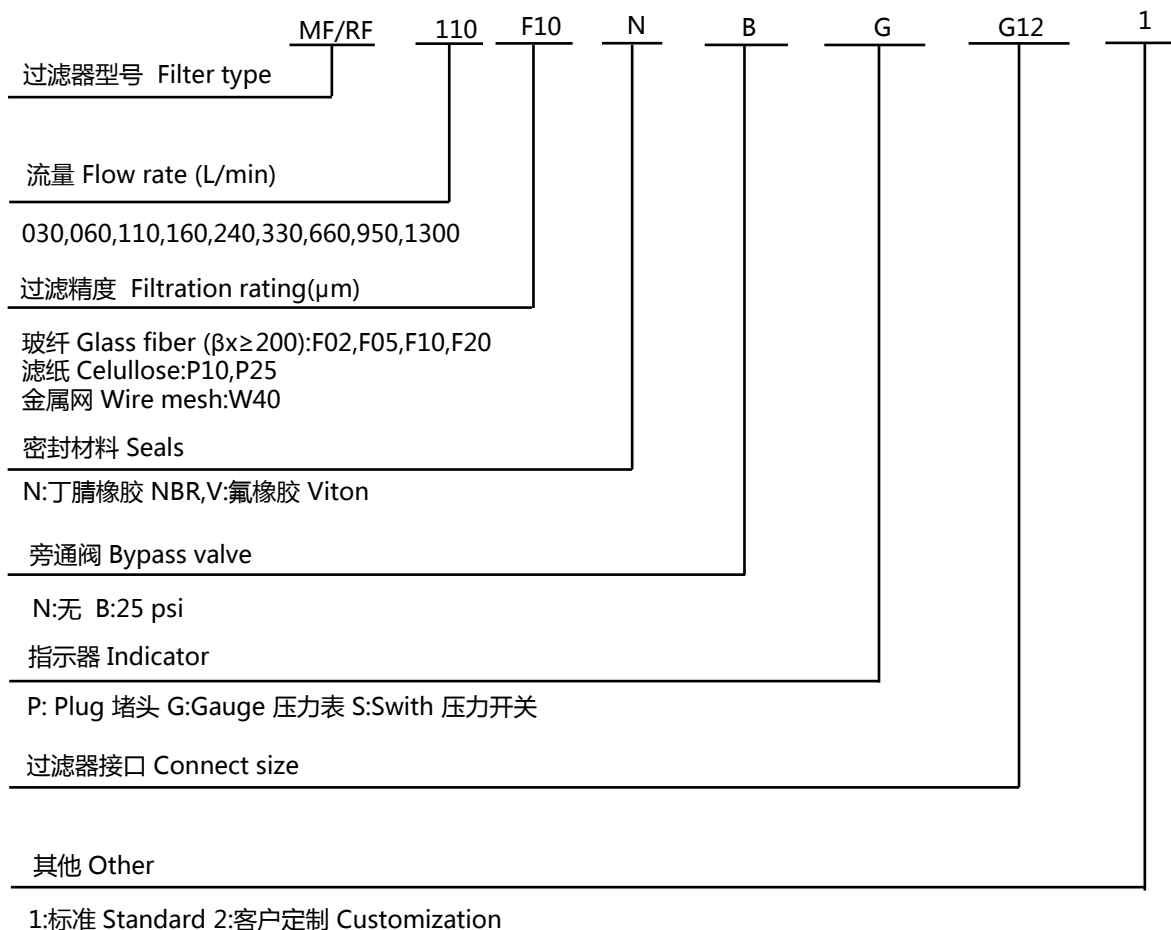


产品液压符号
Hydraulic symbol



订货代码 Ordering code

过滤器 The Completed Filter

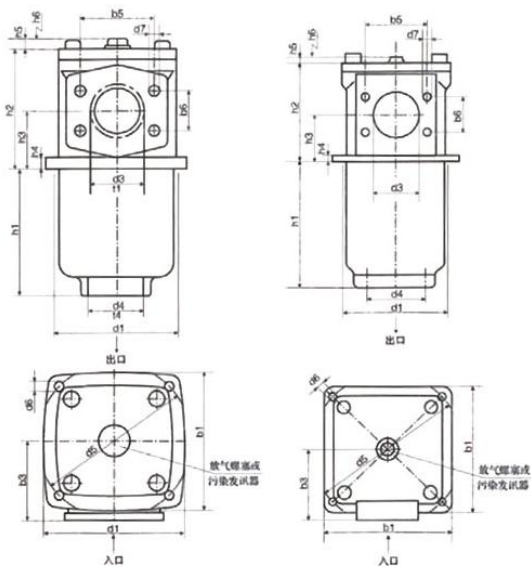
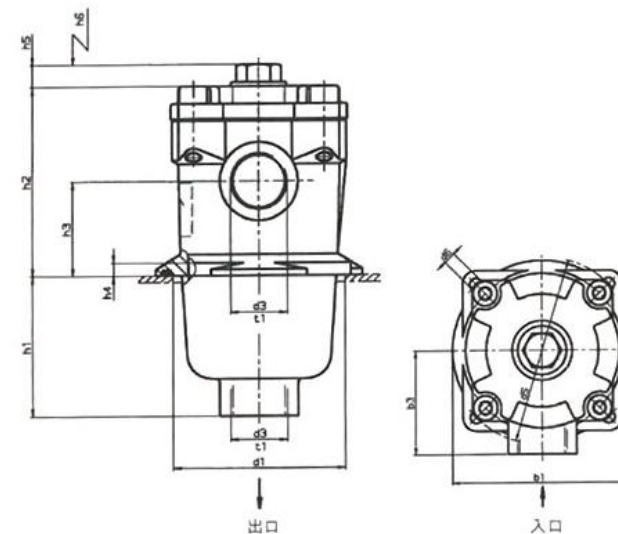


型号 type	接口尺寸、类型Port type	订货代码 Code
MF/RF030	G1/2 BSP	G08
	M18X1.5	M18
MF/RF060	G3/4 BSP	G12
MF/RF110	M27X2	M27
MF/RF160	G1-1/4 BSP	G20
MF/RF240	M42X2	M42
	G2 BSP	G32
MF/RF330	SAE2"	F50
	SAE3"	F80
MF/RF660	SAE3"	F80
MF/RF950	SAE3-1/2"	F90
MF/RF1300	SAE4"	F100

外形安装尺寸 Dimensions

MF/RF 060-110-160-240

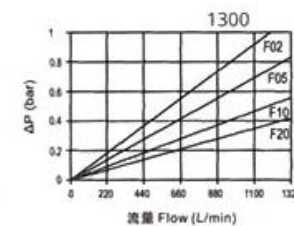
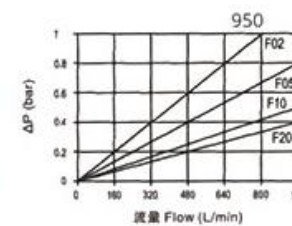
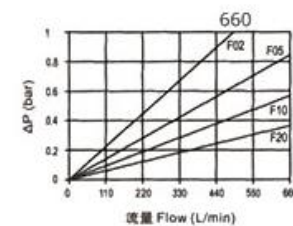
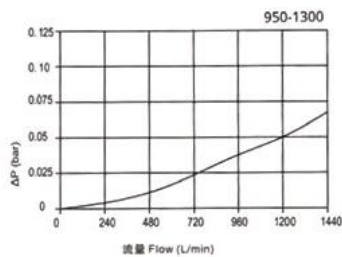
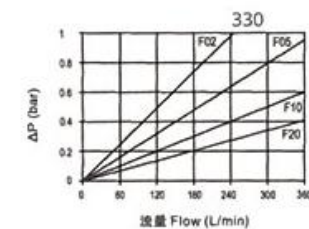
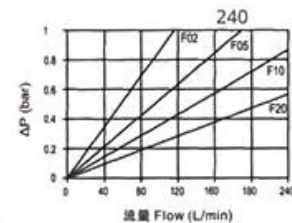
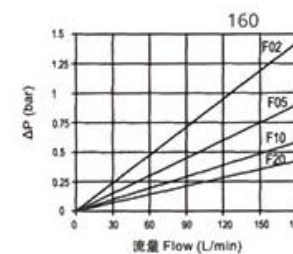
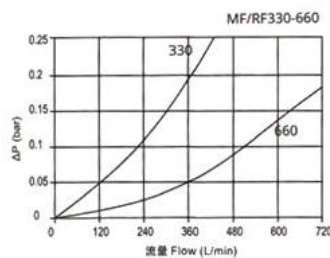
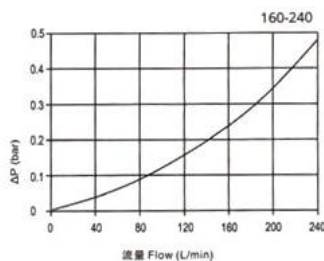
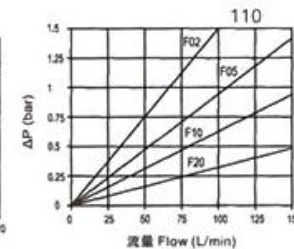
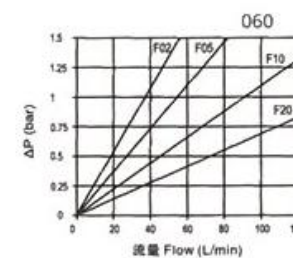
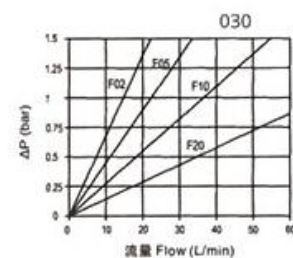
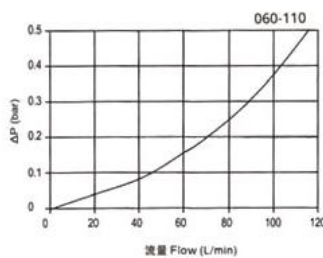
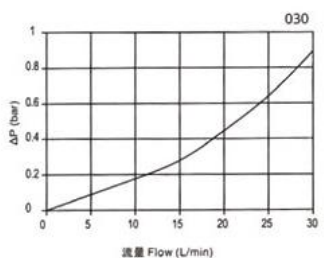
型号type	b2	b3	d1	d3	d5	d6	h1	h2	h3	h4	h5	h6	t1
MF/RF060	96	55	80	G3/4	100	M5	66	88	44	6	12	80	17
MF/RF110							133					145	
MF/RF160	126	70	106	G1/4	135	M6	89	108	54			120	20
MF/RF240							150					180	



型号type	b1	b2	b3	b5	b6	d1	d3	d4	d5	d6	d7	h1	h2	h3	h4	h5	h6	t1	t2	t4
MF/RF330	150	126	85	77.8	42.9	135	G2;SAE2	G2	170	M8	M12	139	130	63	13	12	180	27	23	27
MF/RF660	190	210	110	106.4	61.9	180	SAE3"	G3	220	M12	M16	246	203	83		8	320	-	28	28
MF/RF950	250	244	135	120.7	69.9	208	SAE3-1/2"	SAE3-1/2"	290	M16		252.5	225	93	385		-	22	-	
MF/RF1300			145	130.2	77.8		SAE4"	SAE4"				303.5	269	121			485	-	-	

壳体压降 Filter Housing Pressure Drop

滤芯初始压降 Element Pressure Drop With Media



性能参数 Specifications

旁通阀：
开启压力175kpa (1.75 bar)±10%
开启压力300kpa (3bar)±10%

Δp元素类型-超细纤维滤芯
流动方向：流体从OUT向IN流过滤芯
工作温度：-25°C~ +110°C
说明：HYL过滤器提供垂直安装

Bypass valve :
Opening pressure 175 kPa (1.75 bar)±10%
Opening pressure 300 kPa(3 bar)±10%

Δp element type
Microfibre filter elements
Fluid flow through the filter element from OUT to IN
Temperature : From -25°C to +110°C
Note : HYL filters are provided for vertical mounting

MF/HYL 30

MF/HYL 110

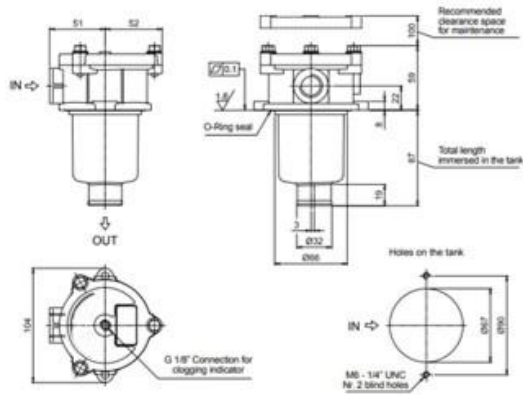
MF/HYL 165



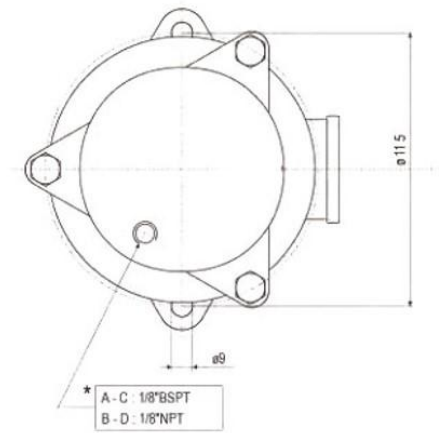
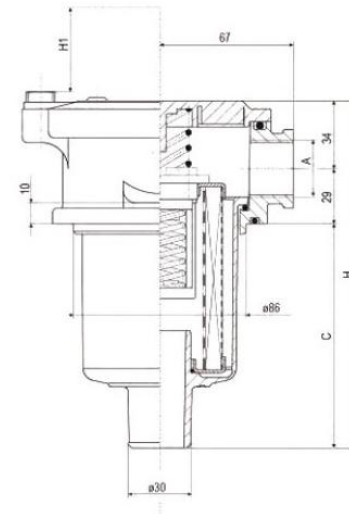
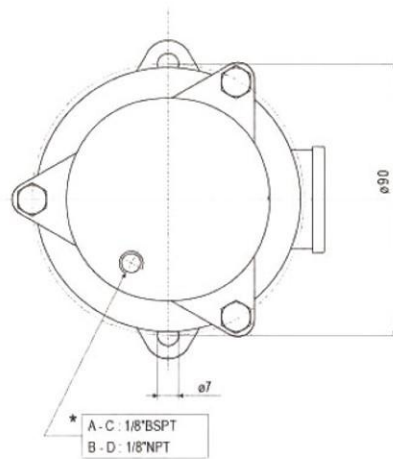
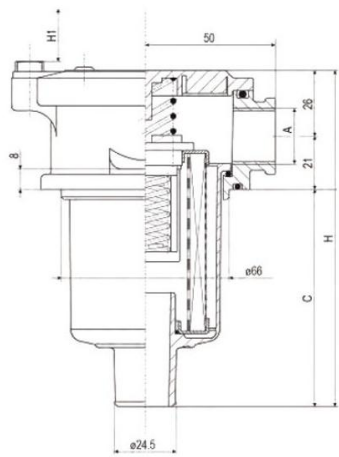
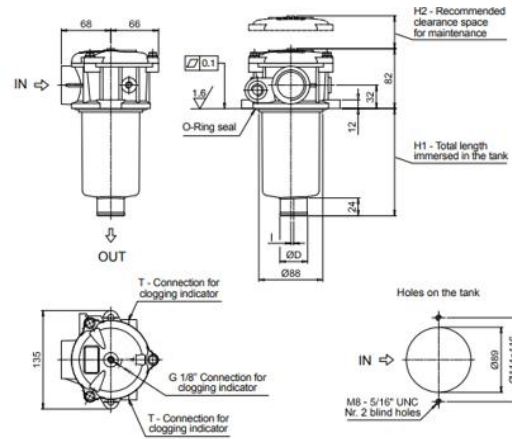
MF/HYL 回油过滤器

MF/HYL Return Filter

外形安装尺寸 Dimensions

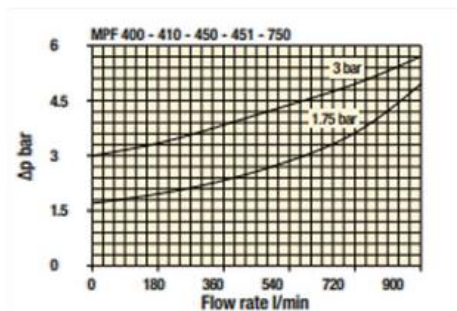
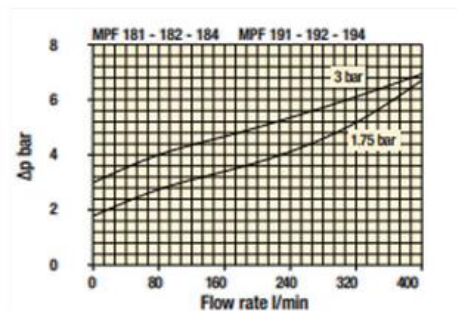
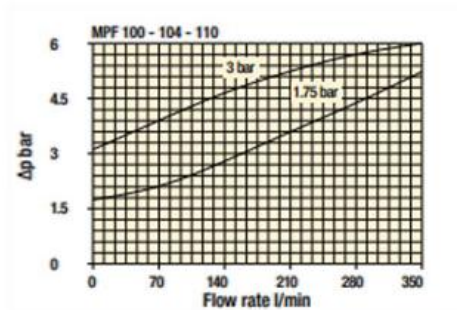
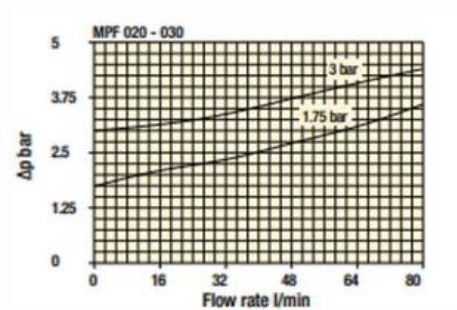
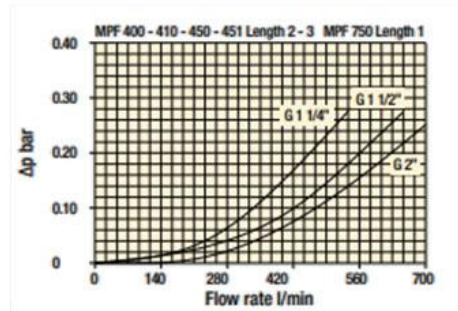
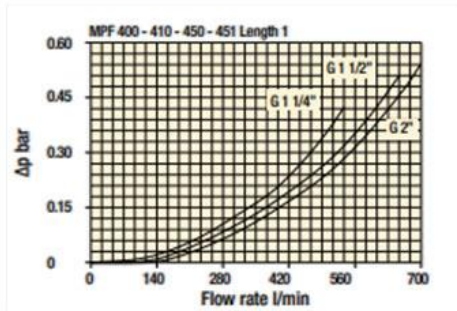
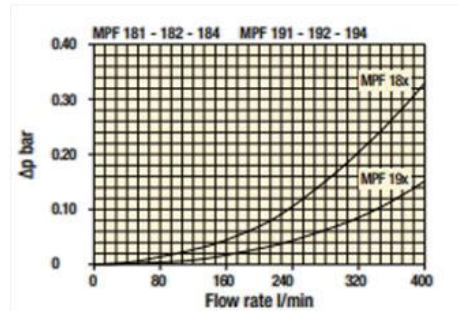
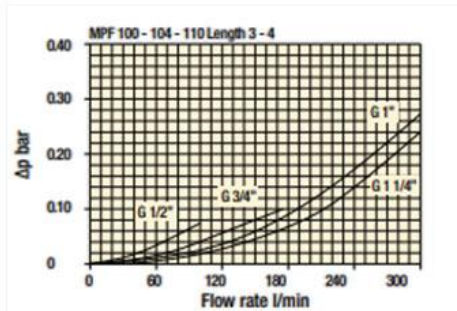
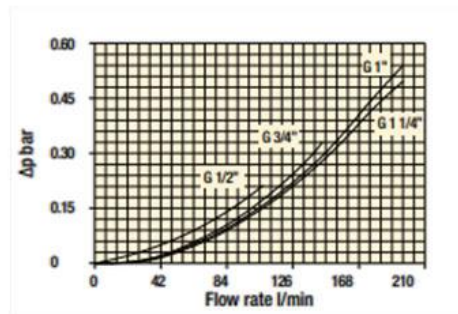
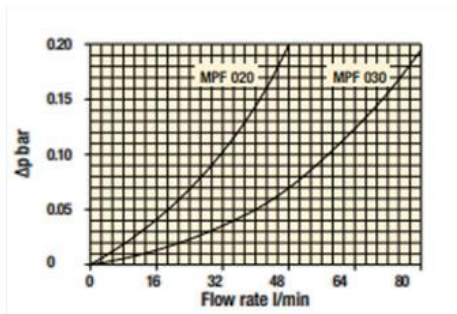


外形安装尺寸 Dimensions



壳体压降 Filter Housing Pressure Drop

旁通阀压降 Bypass valve pressure drop



MF/RFI 油箱内置回油过滤器
MF/RFI In-tank Return Filter

最大流量:2000L/min
Maximum flow:2000L/min
最大压力:10bar
Maximum pressure:10bar



性能参数 Specifications

安装方式:油箱内置安装

流动方向:从里到外

工作压力:最大10 bar

工作温度:-20°C~+110°C

密封材料:丁腈橡胶/氟橡胶

滤材:

玻纤:2、5、10、20μm

滤纸:10、25μm

金属网:40μm

旁通阀&指示器设定:旁通阀 1.5 bar

压差指示器:5 bar, 目视-目/电式

特点:

- 1.带磁性预过滤滤芯纳污容量更大
- 2.带低磁滞的旁通阀
- 3.多种液流扩散器可以选择
- 4.标准模块化

工作介质相容性:适用于矿物油、人工合成油其他介质请咨询公司技术部门

Installation method: Internal installation of the hydraulic tank

Flow direction: From the inside out

Working pressure: maximum 10 bar

Working temperature: -20 °C ~ +110 °C

Sealing material: NBR / fluorine rubber

Filter material:

Glass fiber: 2,5,10,20μm

Filter paper: 10,25μm

Metal mesh: 40μm

Bypass valve & indicator setting: bypass valve 1.5 bar

Pressure difference indicator: 5 bar, visual - visual / electric

Features:

1. With magnetic pre-filter filter with larger capacity
2. With low hysteresis bypass valve
3. A variety of liquid flow diffuser can be selected
4. Standard modular

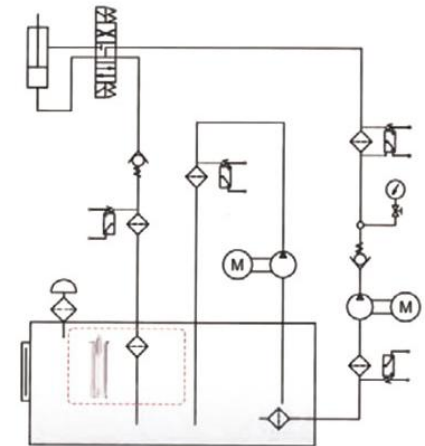
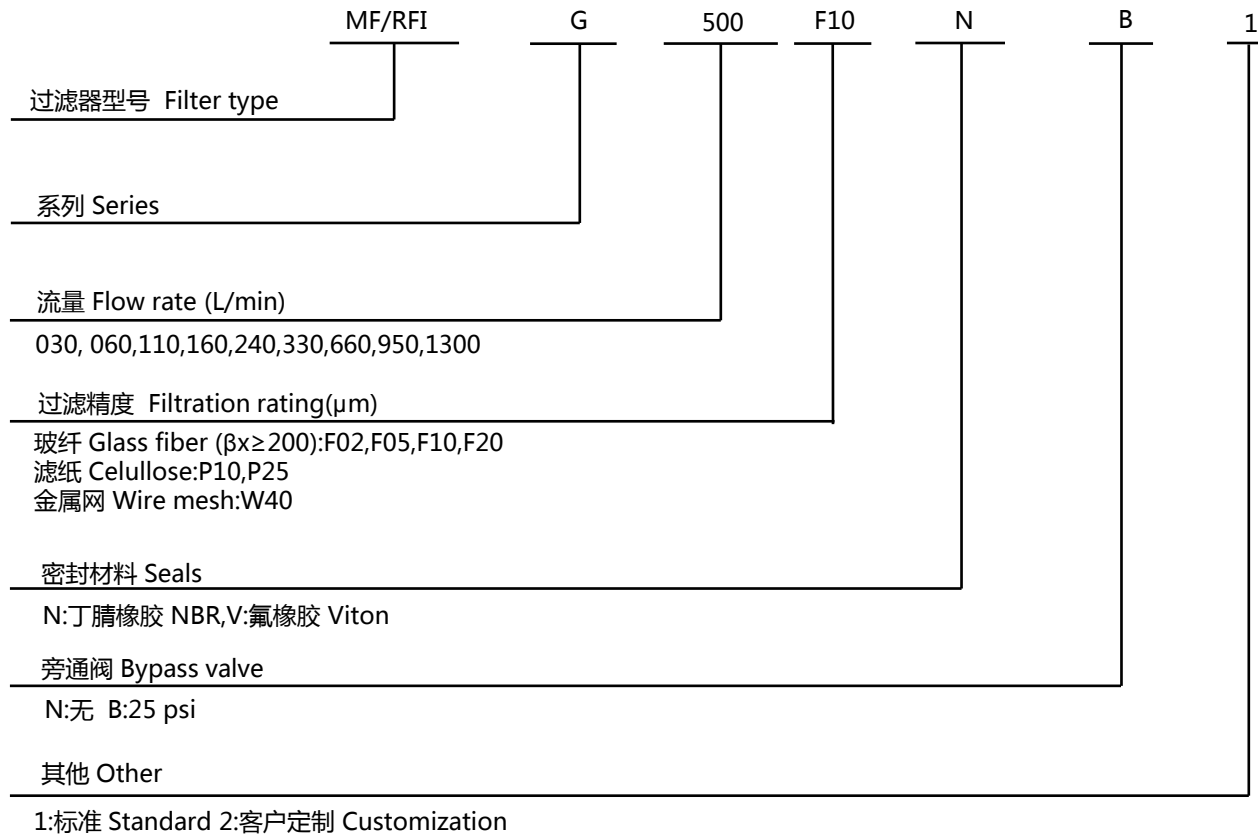
Fluid compatibility: suitable for mineral oil, synthetic oil other media please consult the company's technical department

MF/RFI 油箱内置回油过滤器 MF/RFI In-tank Return Filter

MF/RFI 油箱内置回油过滤器 MF/RFI In-tank Return Filter

订货代码 Ordering code

过滤器 The Completed Filter



MF/RFI 油箱内置回油过滤器 MF/RFI In-tank Return Filter

MF/RFI 油箱内置回油过滤器 MF/RFI In-tank Return Filter

滤芯 The Replacement Element

	MF/RFI	500	F10	N
滤芯型号 Element type				
流量 Flow rate (L/min)				
过滤精度 Filtration rating(μm)				
玻纤 Glass fiber (βx≥200):F02,F05,F10,F20 滤纸 Celullose:P10,P25 金属网 Wire mesh:W40				
密封材料 Seals				

N:丁腈橡胶 NBR,V:氟橡胶 Viton

压降曲线 Pressure Drop Curves

推荐回油过滤器初始压降不大于 0.5 bar

如果所使用的工作介质粘度不是32cSt，实际压降计算如下:

$$\Delta p = (\Delta p_{32} \times \text{工作介质粘度}) / 32\text{cSt}$$

过滤器压降数据是基于工作介质的动力粘度32cSt、密度0.87得到。

The Assembly Pressure Drop(ΔP)is obtained by adding te pressure drop values of the filer housing and of the clean filter element and the recommended level of the in itial pressure drop for high pressure filters is Max.1.2 bar.

If the medium used has a viscosity different from 32cSt, pressure drop over the filter can be estimated as follows:

$$\Delta p = (\Delta p_{32} \times \text{viscosity of medium used}) / 32\text{cSt}."$$

Filter pressure drop based on 32cSt fluid viscosity and 0.87 density.

过滤器主要性能参数Filter Specification

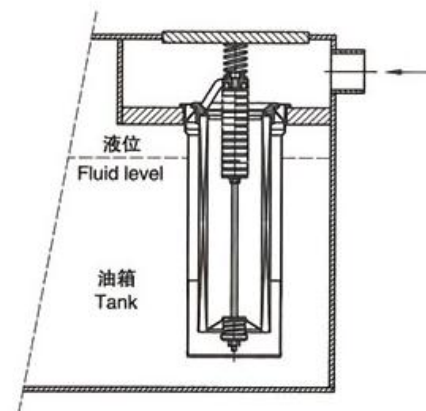
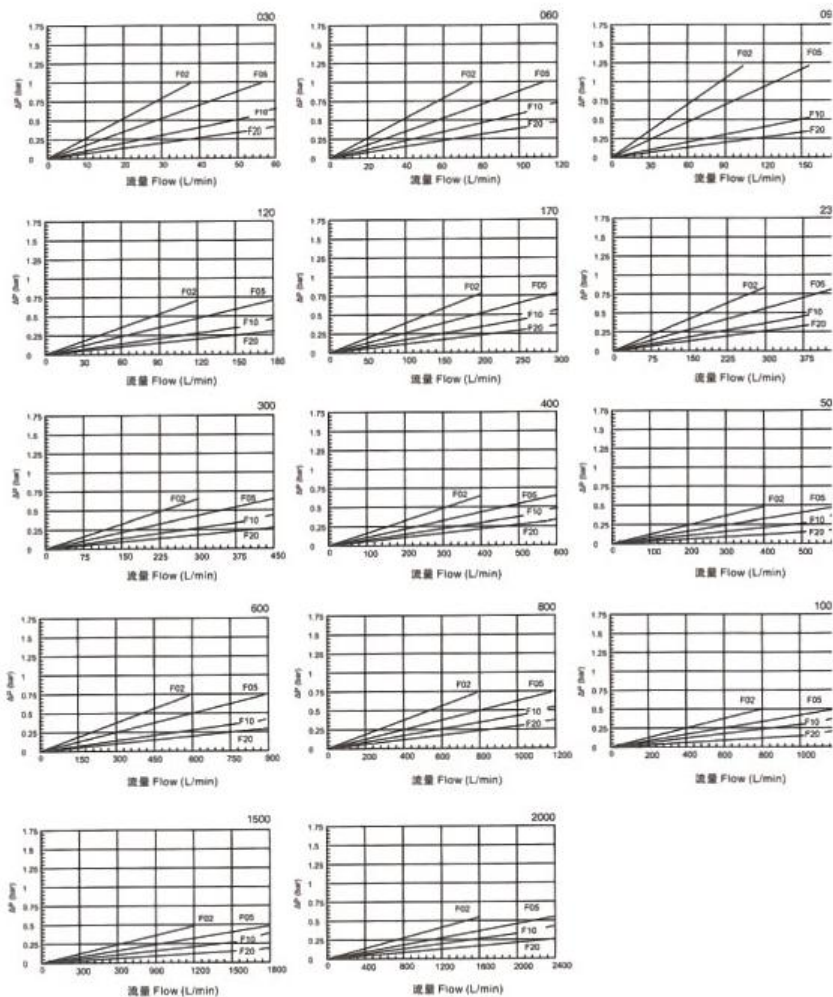
过滤器 Filter	流量Flow(L/min)	滤芯 Element	旁通阀 Bypass	重量 Weight(Kg)
MF/RFI060	60	RGE060.	1.5 Bar	0.6
MF/RFI090	90	RGE090.		0.8
MF/RFI120	120	RGE120.		0.9
MF/RFI170	170	RGE170.		2.1
MF/RFI230	230	RGE230.		2.2
MF/RFI300	300	RGE300.		3.0
MF/RFI400	400	RGE400.		3.0/4.6
MF/RFI500	500	RGE500.		3.6/5.9
MF/RFI600	600	RGE600.		13.2/15.9
MF/RFI800	800	RGE800.		13.6/16.8
MF/RFI1000	1000	RGE1000.		16.8/20.5
MF/RFI1500	1500	RGE1500.		21.4/25.5
MF/RFI12000	2000	RGE2000.		23.2/28.6

MF/RFI 油箱内置回油过滤器 MF/RFI In-tank Return Filter

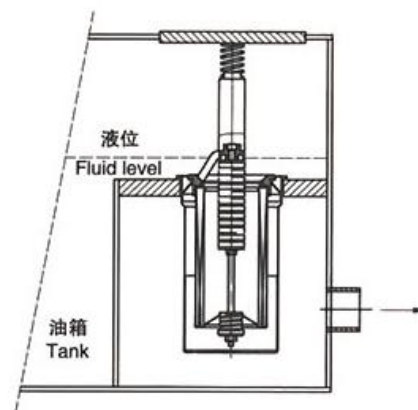
MF/RFI 油箱内置回油过滤器 MF/RFI In-tank Return Filter

滤芯初始压降 Element Pressure Drop With Media

过滤器安装示意图 Mounting Methods



方式一 method 1

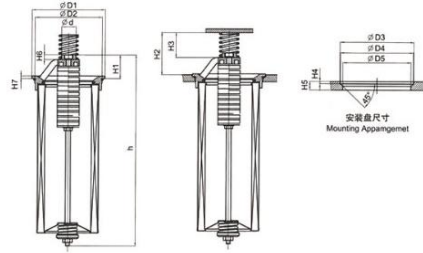


方式二 method 2

MF/RFI 油箱内置回油过滤器 MF/RFI In-tank Return Filter

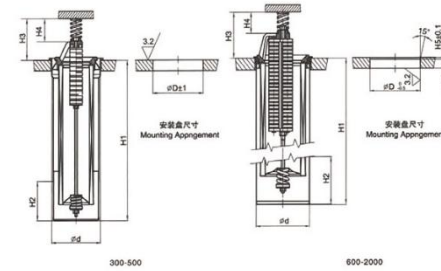
MF/RFI 油箱内置回油过滤器 MF/RFI In-tank Return Filter

无扩散器外形安装尺寸Dimensions without diffuser



过滤器 Filter	d	D1	D2	D3	D4	D5	h	H1	H2	H3	H4	H5	H6	H7
MF/RFI060	20	87	79	88	85	80	173	35	45	20	4	12	4	6
MF/RFI090							218							
MF/RFI120							267							
MF/RFI170	25	125	116	126	122	117	287	48	77	42	5	15	5	8
MF/RFI230							358							
MF/RFI300							563							
MF/RFI400	30	150	138	151	149	139	407	58	100	55	5	18	7	12
MF/RFI500							599							
MF/RFI600	40	230	215	231	227	217	505	100	142	60	6	20	12	12
MF/RFI800							615							
MF/RFI1000							720							
MF/RFI1500							1000							
MF/RFI12000							1265							

带扩散器外形安装尺寸Dimensions with diffuser



型号Type	d	D	H1	H2	H3	H4	H5
MF/RFI300	175	178	324	110	106	55	
MF/RFI400			364				
MF/RFI500			554				
MF/RFI600	239	250.5	445	183	145	60	2.5
MF/RFI800			555				
MF/RFI1000			660				
MF/RFI1500			940				
MF/RFI2000			1220				

MF/MRS 吸、回油过滤器 MF/MRS Return / Suction filters

性能参数 Specifications

流动方向:从外向内
密封材料:丁腈橡胶
工作温度: -25°C~+110°C

Flow direction: from the outside to the inside
Sealing material: nitrile rubber, fluorine rubber
Operating temperature: -20°C ~ +110°C



MF/MRS 吸、回油过滤器

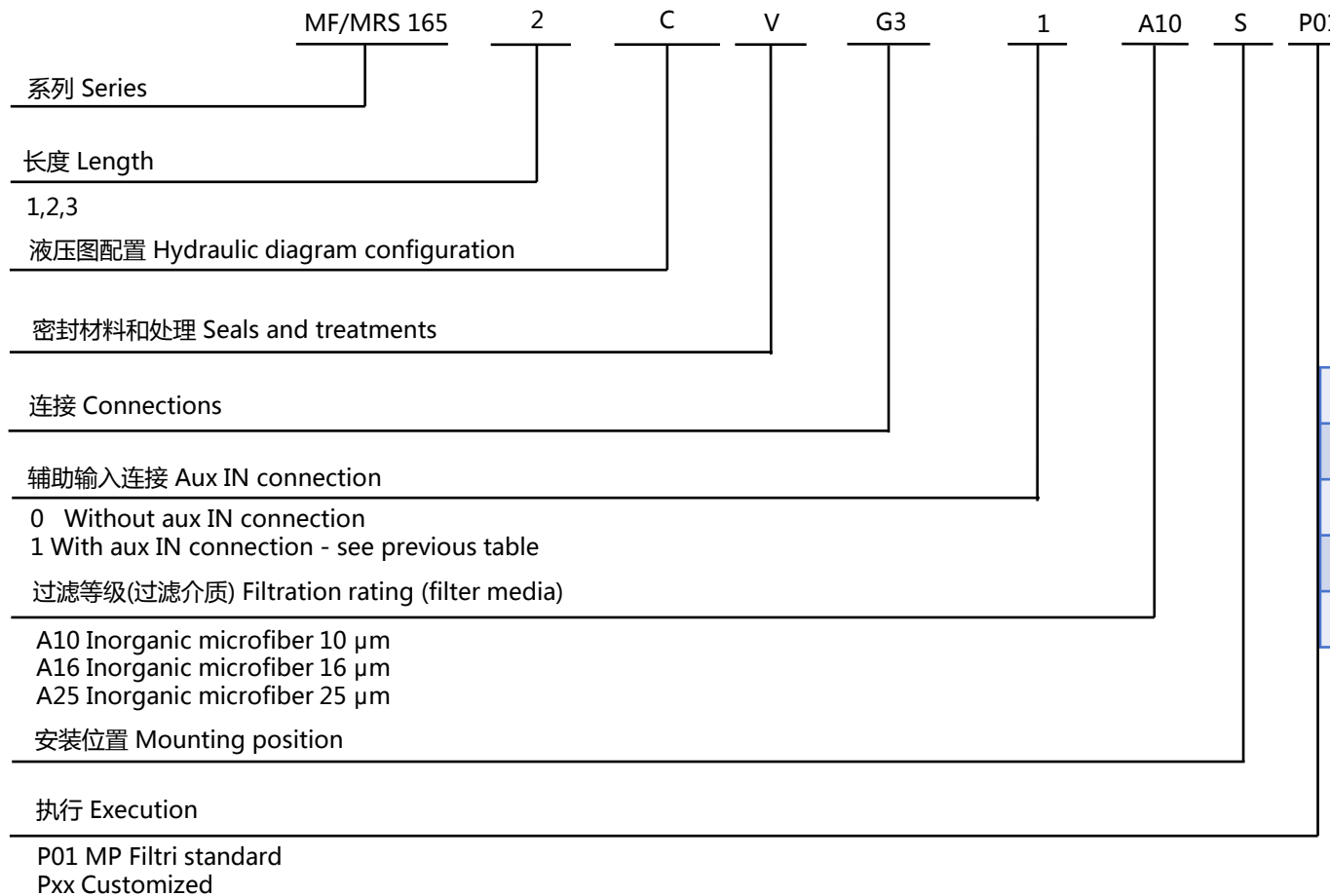
MF/MRS Return / Suction filters

MF/MRS 吸、回油过滤器

MF/MRS Return / Suction filters

订货代码 Ordering code

过滤器 The Completed Filter



液压图配置 Hydraulic diagram configuration							
				Bypass valve to tank		Bypass valve to OUT	
A	B	C	D	•			
E	F	G	H			•	
I				•			
M						•	

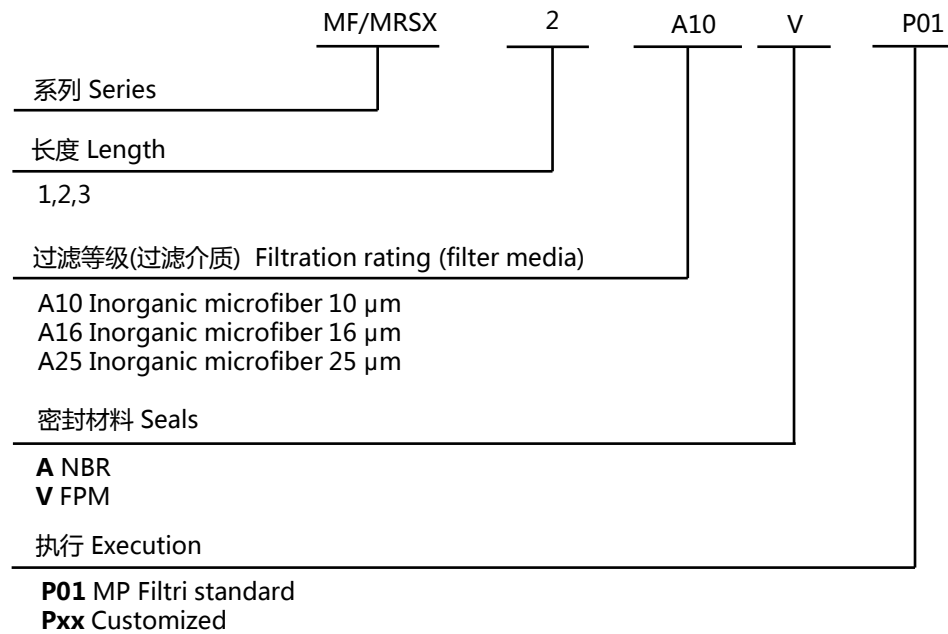
密封和处理 Seals and treatments	
A NBR, O-Ring on head	B NBR, flat seal on head
V FPM, O-Ring on head	D FPM, flat seal on head

连接 Connections			
IN (size 165)	IN (size 166)	Aux IN	OUT
G1 G1 1/4"	G1"	G 1 1/4"	G1"
G2 1 1/4"NPT	1"NPT	1 1/4 NPT	1"NPT
G3 SAE 20-15/8"-12UN	SAE 16-15/16"-12UN	SAE 20-15/8"-12 UN	SAE 16-15/16"- 12UN

Mounting position	A	B	C	D	E	F	G	H	I	M
S Standard	•	•	•	•	•	•	•	•		
B Tank side-wall mounting	•	•			•	•			•	•

订货代码 Ordering code

滤芯 Filter Element



配件 Accessories

Indicators on Return Line	page		page
BVA Axial pressure gauge		BEA Electrical pressure indicator	
BVR Radial pressure gauge		BEM Electrical pressure indicator	
BVP Visual pressure indicator with automatic reset		BET Electrical pressure indicator	
BVQ Visual pressure indicator with manual reset		BLA Electrical /visual pressure indicator	
Indicators on Suction Line	page		page
WB Axial vacuum gauge		VEB Electrical vacuum indicator	
VVS Radial vacuum gauge		VLB Electrical /visual vacuum indicator	

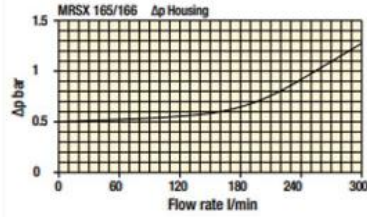
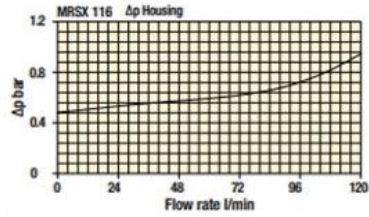
MF/MRS 吸、回油过滤器

MF/MRS Return / Suction filters

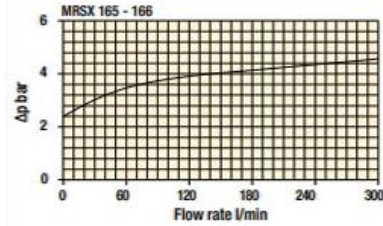
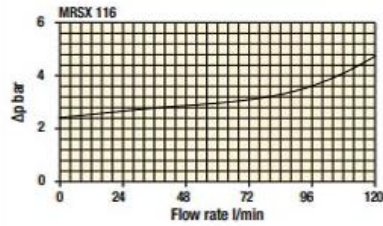
MF/MRS 吸、回油过滤器

MF/MRS Return / Suction filters

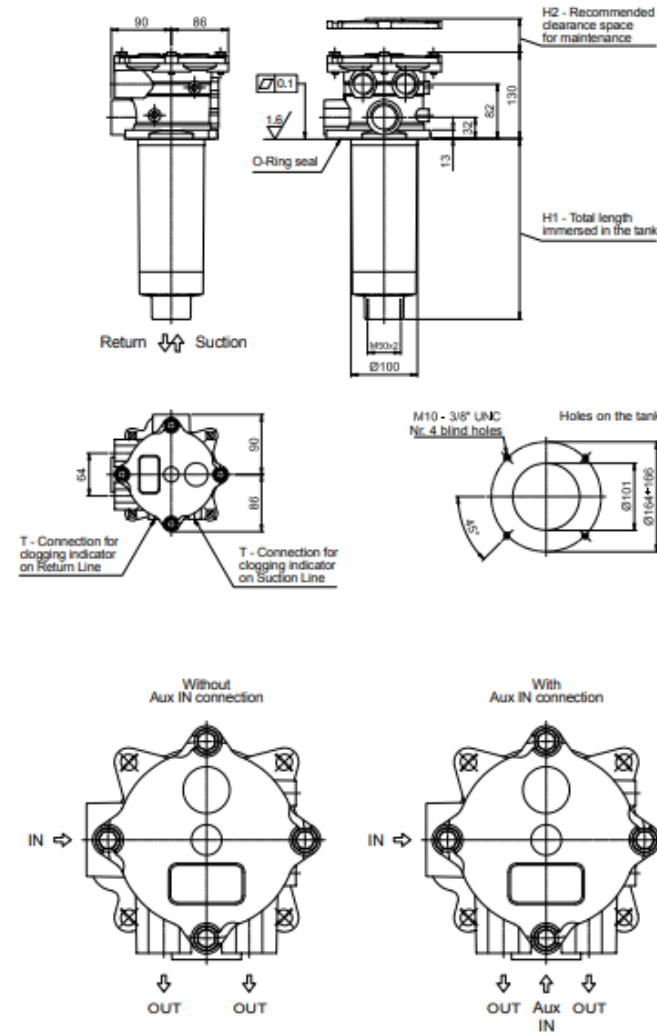
壳体压降 Filter Housing Pressure Drop



旁通阀压降 Bypass valve pressure drop



外形安装尺寸 Dimensions



Filter length	H1(mm)	H2(mm)
1	270	320
2	378	430
3	445	500

Connections	T
G1	G 1/8"
G2-G3	1/8"NPT

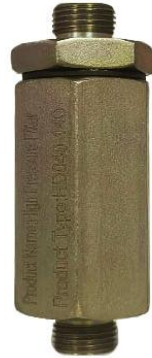
性能参数 Specifications

滤芯:
油流方向从内到外。
星型折叠式过滤材料特点包括:

1. 过滤面积大
2. 压降损失低
3. 纳污能力强
4. 使用寿命长

材料
壳体: 钢, 镀锌
密封: 丁腈橡胶 (可选用氟橡胶)
滤芯材料: 不锈钢金属网 (1.4301)

工作压力
0 ... 250 bar, 最小压力周期 2×10^6
公称压力符合 DIN 24550
0 ... 500 bar, 最小压力周期 10^4
准静工作压力



Filter element:
The direction of flow is from inside to outside.
The characteristics of the star folding filter material include:
1. large filter area
2. low pressure drop loss
3. strong cleaning capacity
4. long service life

Materials
Shell: steel, galvanized
Seal: NBR (optional: fluorine rubber)
Filter element material: stainless steel wire mesh (1.4301)

Working pressure
0... 250 bar, minimum pressure period 2×10^6
nominal pressure in accordance with DIN 24550
0... 500 bar, minimum pressure period 10^4
quasi-static working pressure

性能参数 Specifications

公称流量

至100 L/min (参见选型表第2列)

雅歌辉托斯标明的公称流量基于以下特性：

- 粘度 $\nu \leq 200 \text{ mm}^2/\text{s}$ 旁通阀关闭
- 连接管路中的流速：至250 bar $\leq 8 \text{ m/s}$ > 250 bar $\leq 12 \text{ m/s}$

过滤器精度

60 μm , 100 μm

(参见选型表第3列)

工作介质

矿物油和生物降解液压油

(合成酯HEES或快速生物降解油HETG)

温度范围

-30 °C ... +100 °C (短时温度-40 °C ... +120 °C)

安装位置：按需要

连接

螺纹接口符合ISO 228, DIN 13和DIN 3861。

尺寸参见选型表第6列 (其它螺纹接口请咨询)

Nominal flow

up to 100 L/min (see column 2 of the selection table)

The nominal flow indicated by AGF is based on the following characteristics:

- Viscosity $\nu \leq 200 \text{ mm}^2/\text{s}$ by-pass valve closed
- Flow rate in connection pipeline: up to 250 bar $\leq 8 \text{ m/s}$ > 250 bar $\leq 12 \text{ m/s}$

Filter accuracy 60 μm , 100 μm

(See column 3 of the selection table)

Working medium

Mineral oil and biodegradable hydraulic oil

(synthetic ester HEES or fast biodegradable oil HETG)

Temperature range

-30 °C ... +100 °C (short-term temperature -40 °C... +120 °C)

Installation position: as required

Connections are threaded to ISO 228, DIN 13 and DIN 3861.

Dimensions are shown in column 6 of the selection table

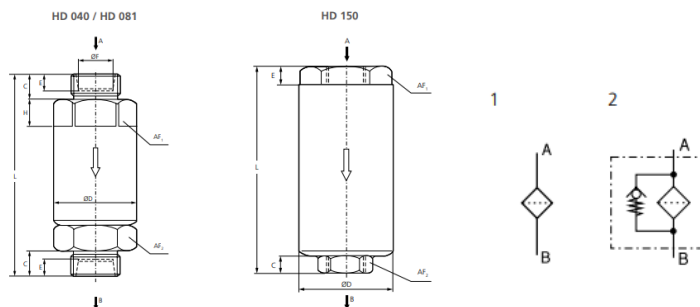
(for other threaded connections, please consult us)

选型表 Selection list

元件代号	公称流 L/min	过滤精度 (μm)	过滤面积 (cm^2)	旁通阀开启压力 (bar)	连接尺寸A/B	外形尺寸C (mm)	外形尺寸D (mm)	外形尺寸E (mm)	外形尺寸F (mm)	外形尺寸H (mm)	外形尺寸L (mm)	扳手尺寸 (对边宽度) $AF_{1/2}$	符号	重量 (kg)	备注
MF/HD 040-110	40	100	60	-	M22 x 1.5	12	-	7	15	63	97	36/36	1	0.45	1+2
MF/HD 081-111	80	100	125	-	M26 x 1.5	12	52	7.5	18	11	130	46/46	1	1.10	1+2
MF/HD 150-01	100	100	300	-	G $\frac{3}{4}$	12	65	10.5	-	-	142.5	55/36	1	2.00	1
MF/HD 150-50	100	60	320	3.5	G $\frac{3}{4}$	12	65	10.5	-	-	142.5	55/36	2	1.90	-

表中所列的为标准型的过滤器。如果要求有所改动，例如不同的过滤精度，我们乐意接受您的要求。

外形安装尺寸 Dimensions



质量管理符合 DIN EN ISO 9001

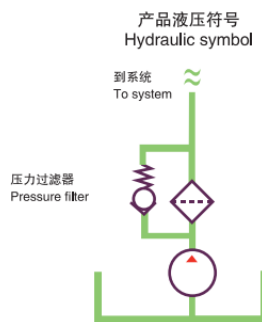
为确保生产加工过程中稳定的质量，滤芯经过严格控制和测试符合以下ISO标准：

- ISO 2941 抗挤压爆裂性检验
- ISO 2942 结构完整性检验和首次起泡点的测定
- ISO 2943 材料与流体适应性的检验
- ISO 3968 压降流量特性的评估
- ISO 16889 多通道测试 (对过滤精度和纳污力的评估)
- ISO 23181 利用高粘性液体测定抗流动疲劳强度

生产过程中的各种质量控制确保了我们的过滤器产品的密封性和坚固性。

性能参数 Specifications

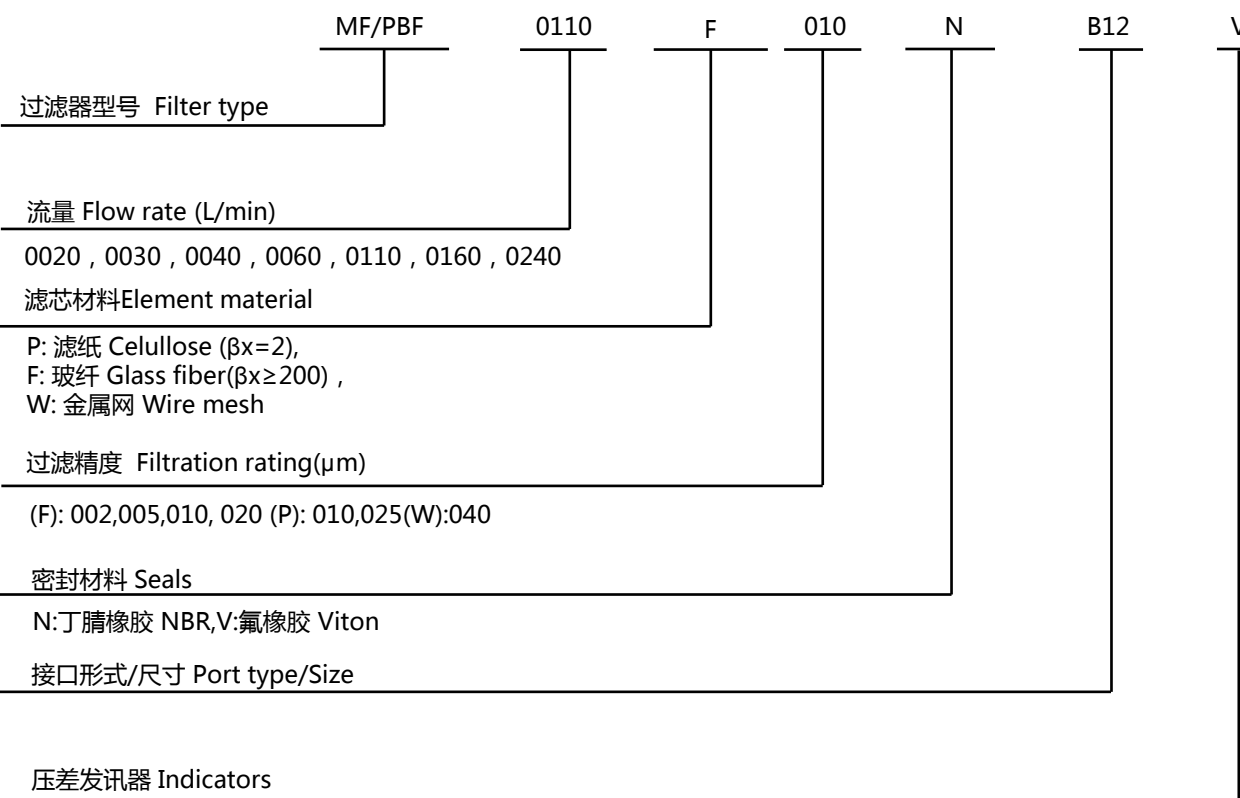
产品结构形式:管路型,板式安装
流动方向:在同一水平线,从一边进口到另一边出口。
安装方式:T型
工作压力:最大210bar
工作温度:-30°C~+110°C
接口形式:BSPP/M
螺纹密封材料:丁晴橡胶/氟橡胶。
滤材
玻纤:2、5、10、20μm
滤纸:10、25μm
金属网:40μm
滤芯爆破压力:20 bar
旁通阀开启压差:6 bar
其它设置可按用户需求
发讯装置发讯压差:5bar,目视-目/电式
其它压差可按用户要求
壳体材料:挤压铝
工作介质相容性
适用于矿物油、人工合成油,其它介质请咨询公司技术部门



Type of construction: Inline filter,Manifold
Mounting method:Vertical
Flow direction: Inlet to outlet, side connection at the same level, on opposite sides
Operating pressure: Max 210 bar
Operating temperature :-30°C to +110°C
Connection ports: Thread BSPP/Metric
Seal material: NBR,Viton,EPDM on request
Filtration media:
Glass fibre:2、5、10、20μm
cellulose:10μm,25μm
mesh:40μm.
Element collapse rating:20 bar
Bypass setting:Opening pressure 6 bar
other settings on request.
Indicator setting: 5 bar- visual -visual/electrical,
other settings on request.
Filter housing: Head: impacted Aluminium
Fluid compatibility:
Suitable for mineral oils,synthetic
For use with water, please contact our company.

订货代码 Ordering code

过滤器 The Completed Filter



流量 Flow rate (L/min)

0020 , 0030 , 0040 , 0060 , 0110 , 0160 , 0240

滤芯材料 Element material

P: 滤纸 Celullose ($\beta x=2$),
F: 玻纤 Glass fiber ($\beta x \geq 200$),
W: 金属网 Wire mesh

过滤精度 Filtration rating(μm)

(F): 002,005,010, 020 (P): 010,025(W):040

密封材料 Seals

N:丁腈橡胶 NBR,V:氟橡胶 Viton

接口形式/尺寸 Port type/Size

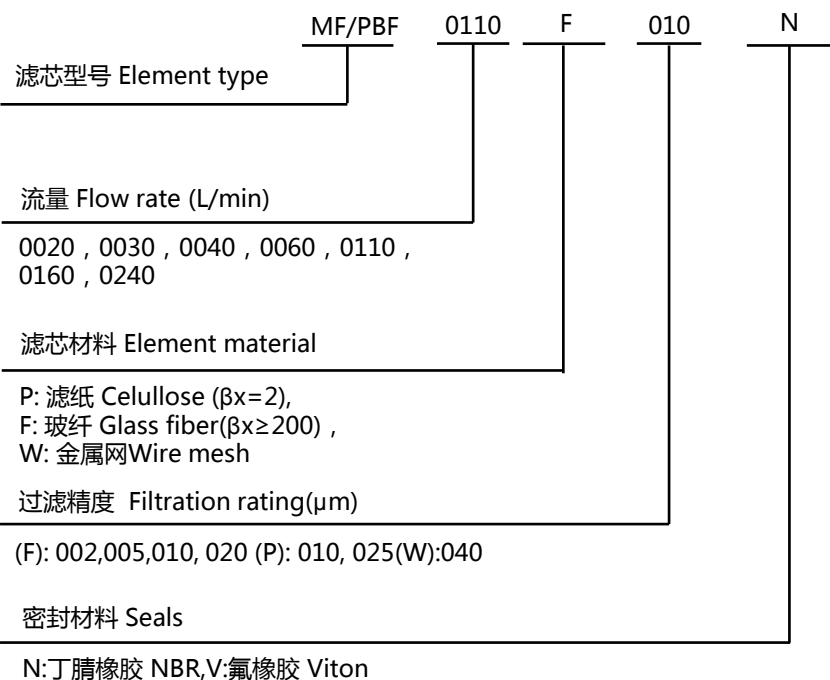
压差发讯器 Indicators

N: 无 No,V:目视 visual 5bar,E:目/电式 visual/electrical 5bar

流量 Flow rate	接口形式/尺寸 Port type/Size						
	B(BSP 管螺纹 thread)			M(公制螺纹 Metric thread)		P(板式 manifold)	
	B08	B12	B16	M27	M33	18	22
0020	•						
0030	•						
0040	•						
0060		•		•		•	
0110		•		•		•	
0160			•		•		•
0240			•		•		•
B08=G1/2,B12=G ³ / ₄ ,B16=G1							
M27=M27x2,M33=M33x2							
P18=Φ17.5x32,P22=Φ22.3x38.5							

订货代码 Ordering code

滤芯 The Replacement Element

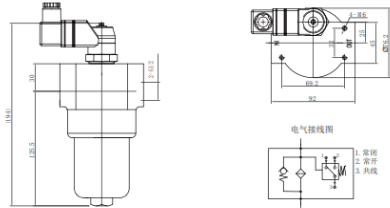


过滤器主要性能参数 Filter Specification

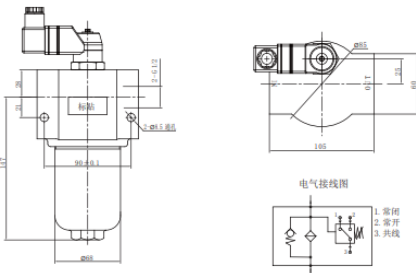
过滤器 Filter	接口 Ports	滤芯 Element	流量 Flow(L/min)	重量 Weight(Kg)
MF/PBF 0020	G ¹ / ₂	MF/PBE 0020	20	1.1
MF/PBF 0030		MF/PBE 0030	30	1.3
MF/PBF 0040		MF/PBE 0040	40	2.0
MF/PBF 0060	G ³ / ₄ , M27x2	MF/PBE 0060	60	1.6
MF/PBF 0110		MF/PBE 0110	110	2.1
MF/PBF 0160	G1, M33x2	MF/PBE 0160	160	2.9
MF/PBF 0240		MF/PBE 0240	240	3.9
MF/PBFM 0060	17.5x32	MF/PBE 0060	60	2.4
MF/PBFM 0110		MF/PBE 0110	110	2.9
MF/PBFM 0160	22.3x38.5	MF/PBE 0160	160	3.5
MF/PBFM 0240		MF/PBE 0240	240	4.5

外形安装尺寸 Dimensions

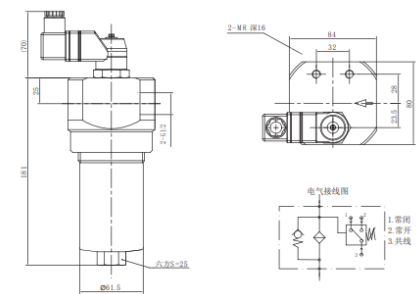
PBF 0020



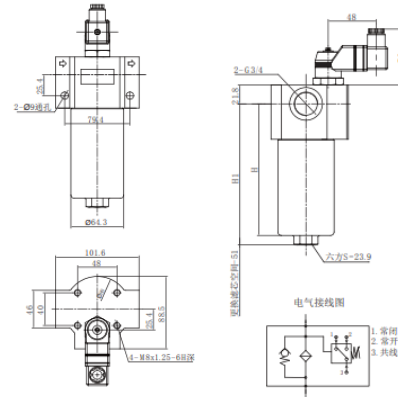
PBF 0030



PBF 0040

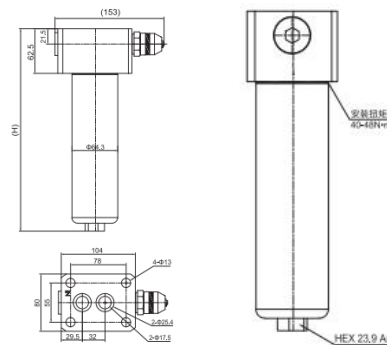


PBF 0060-0110



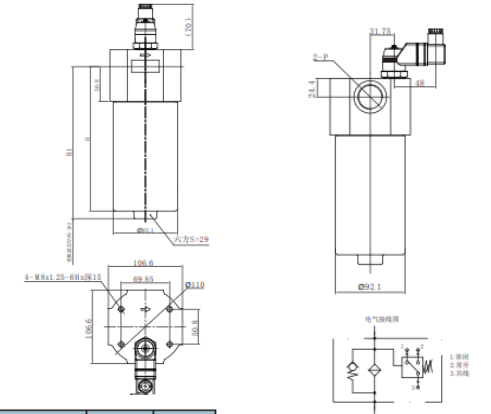
型号 Type	P	H	H1
PBF 0060	G ^{3/4}	155	166
PBF 0110	M27x2	251	262

PBFM 0060-0110



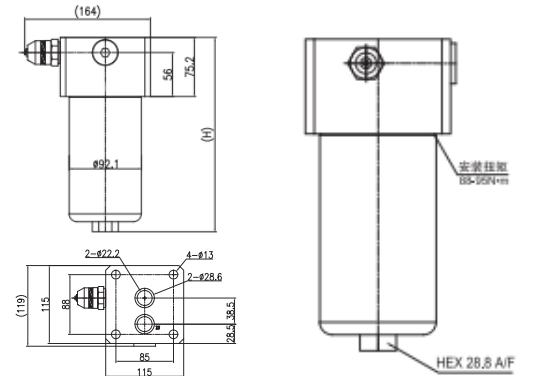
型号 Type	H
PBFM 0060	188
PBFM 0110	283

PBF 0160-0240



型号 Type	P	H	H1
PBF 0160	G1	210	222
PBF 0240	M33x2	320	332

PBFM 0160-0240



型号 Type	H
PBFM 0160	248
PBFM 0240	358

MF/HPB 高压板式过滤器

MF/HPB High Pressure Manifold Filter

最大流量:660L/min

Maximum flow:660L/min

最大压力:320bar

Maximum pressure:320bar



性能参数 Specifications

安装方式:板式安装

流动方向:从进口进入,往垂直向下的出口流出

工作压力:320bar

工作温度:-30°C ~+110°C

密封材料:丁腈橡胶、氟橡胶

过滤材料:玻纤、滤纸、不锈钢网

滤芯爆破压差:20bar

旁通阀&指示器设定:3.5bar 5.0bar 7.0bar 2.5bar 4.0bar 5.0bar

特点:

- 1.结构紧凑、体积小
- 2.过滤精度高、通油能力强
- 3.可以直接安装在液压阀块上
- 4.适用于自动控制系统和伺服系统
- 5.容易集成到系统,实现模块化方案

Installation method:Plate installation

Flow direction: entering from the entrance and exiting from the vertical downward exit

Maximum work pressure:320bar

Operating temperature:-30°C ~+110°C

Sealing material: nitrile rubber, fluorine rubber

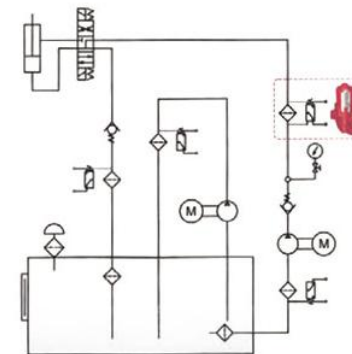
Filter material: glass fiber,filter paper, stainless steel mesh

Element collapse rating : 20bar

Bypassvalve & indicator Settings 3.5bar 5.0bar 7.0bar 2.5bar 4.0bar 5.0bar

Features:

- 1.Compact structure and small size
- 2.High filtration accuracy and strong oil passing ability
- 3.It can be directly installed on the hydraulic valve block
- 4.Suitable for automatic control system and servo system
5. Easy integration into systems, achieving modular solutions

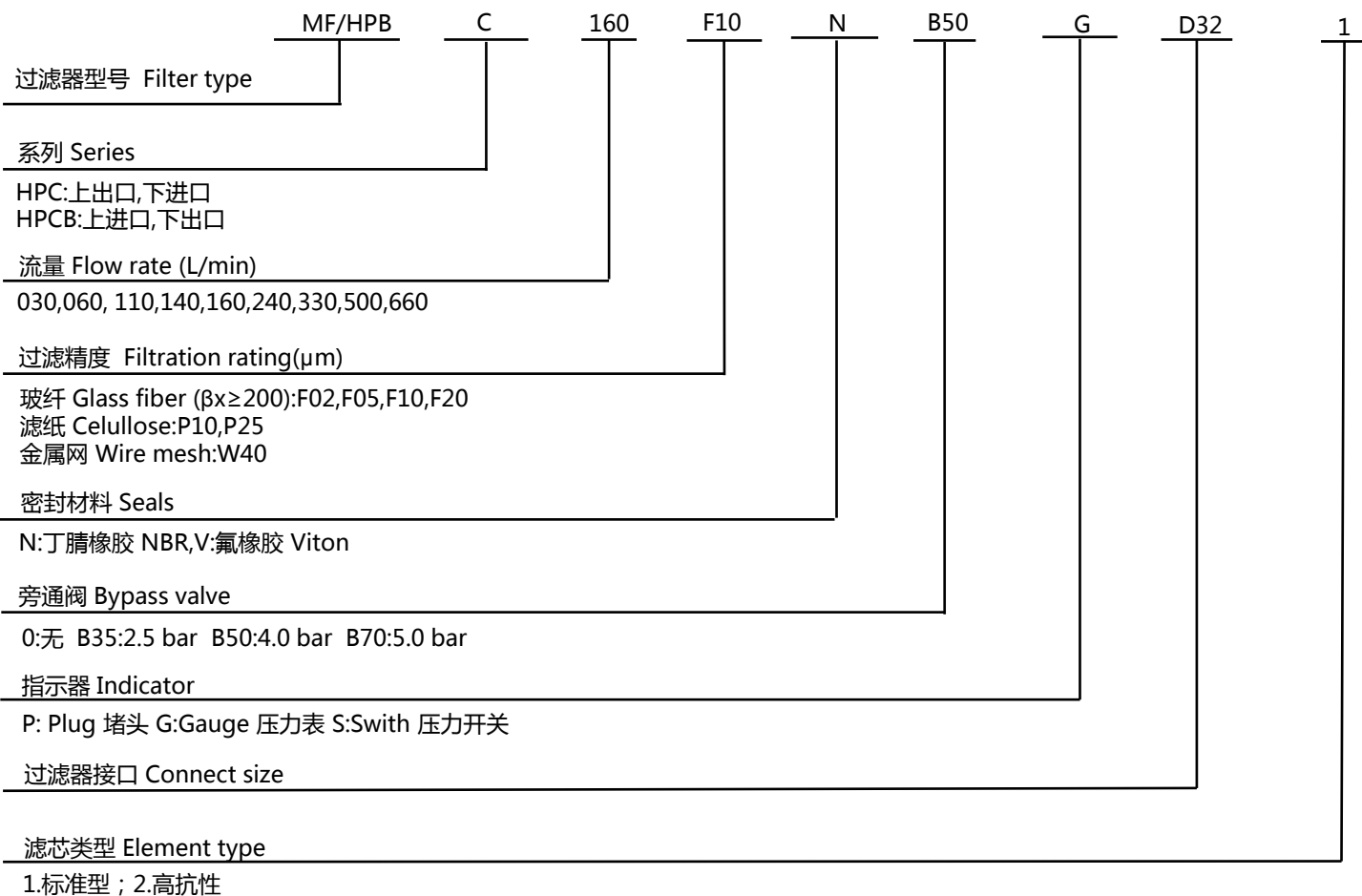


MF/HPB 高压板式过滤器

MF/HPB High Pressure Manifold Filter

订货代码 Ordering code

过滤器 The Completed Filter



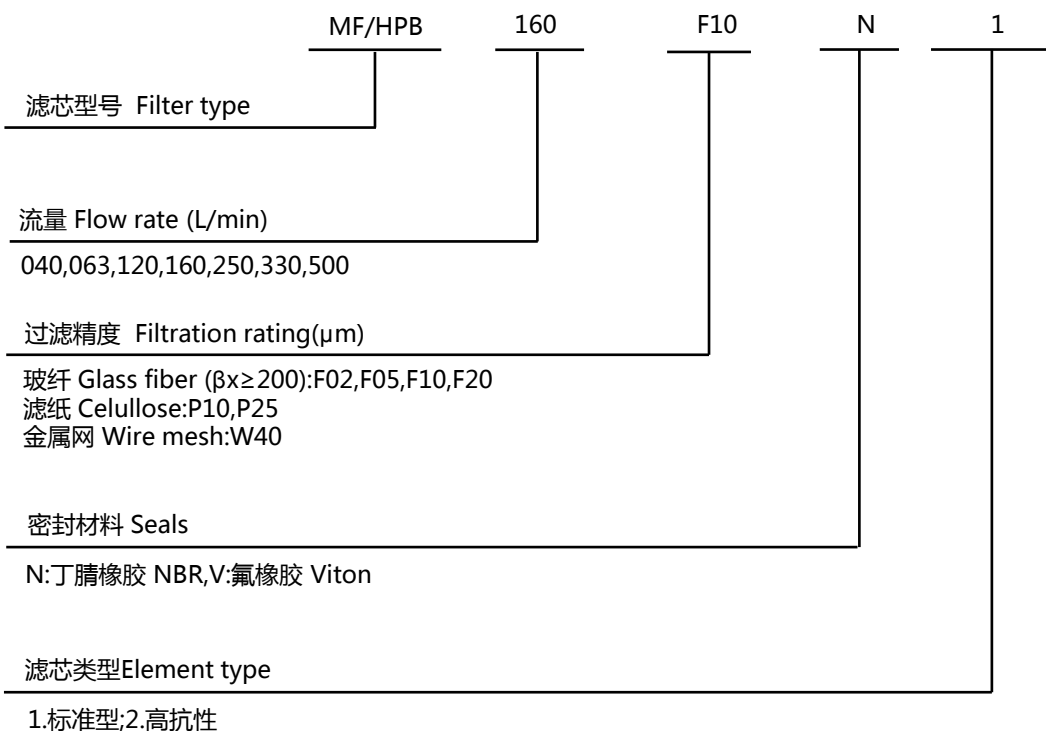
MF/HPB 高压板式过滤器

MF/HPB High Pressure Manifold Filter

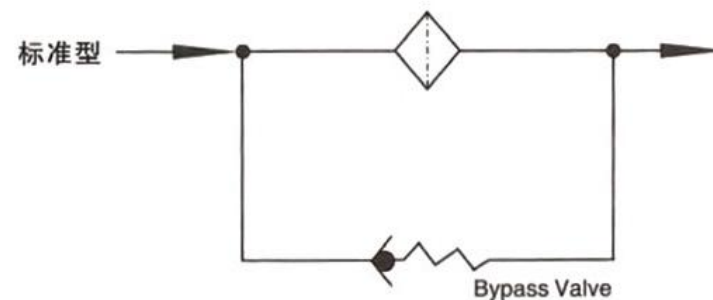
型号 type	安装孔径	订货代码
MF/HPB030	φ15	D15
MF/HPB060		
MF/HPB110		
MF/HPB160	φ32	D32
MF/HPB240		
MF/HPB330		
MF/HPB500		
MF/HPB660		

型号type	安装孔径	订货代码
MF/HPB030	φ14	D14
MF/HPB060	φ20	D20
MF/HPB110		
MF/HPB140		
MF/HPB160	φ32	D32
MF/HPB240		

滤芯 The Replacement Element



过滤原理图 Filter schematic diagram



指示器选项 Indicator option

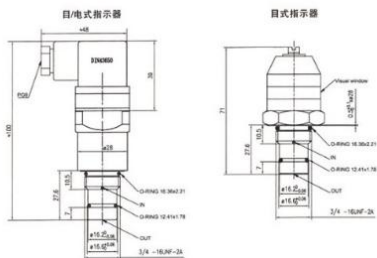
额定电压	非电感负载(A)				电感负载(A)				涌入电流(A)	
	电阻负载		指示灯负载		电感负载		电机负载			
	N.C.	N.O.	N.C.	N.O.	N.C.	N.O.	N.C.	N.O.	N.C.	N.O.
125VAC	5		1.5	0.7	3		2.5	1.3	20max	10max
250VAC	3		1.0	0.5	2		1.5	0.8		
8VDC	5		2		5	4	3			
14VDC	5		2		4	4	3			
30VDC	4		2		3	3	3			
125VDC	0.4		0.05		0.4	0.4	0.05			
250VDC	0.2		0.03		0.2	0.2	0.03			

MF/HPB 高压板式过滤器

MF/HPB High Pressure Manifold Filter

MF/HPB 高压板式过滤器

MF/HPB High Pressure Manifold Filter



过滤效率Filtration efficiency

过滤等级					
平均过滤比β(ISO 16889)/颗粒尺寸μm[c]					
βx(c)=2	βx(c)=10	βx(c)=75	βx(c)=100	βx(c)=200	βx(c)=1000
%效率, 基于以上过滤比(Bx)					
50.0%	90.0%	98.70%	99.0%	99.50%	99.90%
N/A	N/A	N/A	N/A	N/A	4.50%
N/A	N/A	4.5	5	6	7
N/A	6	8.5	9	10	12
6	11	17	18	20	22

过滤器备件Filter parts



备件表

序号	说明	序号	说明
1	堵头	6	下壳体密封圈
2	弹簧	7	挡圈
3	活门体	8	下壳体
4	滤头	9	排污堵头
5	滤芯	-	-

过滤器主要性能参数Filter Specification

过滤器 Filter	接口Ports	滤芯 Element	流量Flow(L/min)	重量Weight (Kg)
MF/HPB030	螺纹 G ¹ / ₂ , M18x1.5;法兰SAE3/4	MF/HPB030	30	3.2
MF/HPB060	螺纹 G ³ / ₄ , M27x2;SAE3/4	MF/HPB060	60	4.2
MF/HPB110		MF/HPB110	110	5.7
MF/HPB160	螺纹 G1, M33x2;法兰SAE1"	MF/HPB160	160	6.7
MF/HPB240		MF/HPB240	240	9.2
MF/HPB330	螺纹 G1-1/4, M48x2;法兰SAE1 ¹ / ₄ "	MF/HPB330	330	15.8
MF/HPB500		MF/HPB500	500	20.3
MF/HPB660		MF/HPB660	660	24.8

压降曲线 Pressure Drop Curves

过滤器的压降是壳体的压降加上清洁滤芯的压降。推荐高压过滤器初始压降不大于 1.2 bar 如果所使用的工作介质粘度不是32cSt, 实际压降计算如下:

$$\Delta p = (\Delta p_{32} \times \text{工作介质粘度}) / 32\text{cSt}$$

过滤器压降数据是基于工作介质的动力粘度32cSt、密度0.87得到。

The Assembly Pressure Drop(ΔP)is obtained by adding te pressure drop values of the filer housing and of the clean filter element and the recommended level of the in itial pressure drop for high pressure filters is Max.1.2 bar.

If the medium used has a viscosity different from 32cSt, pressure drop over the filter can be estimated as follows:

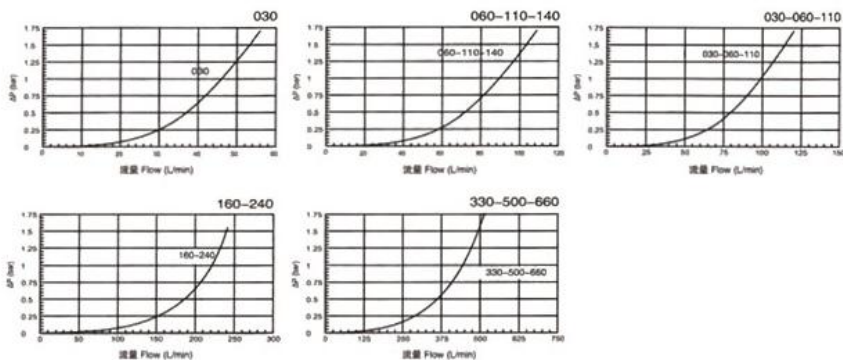
$$\Delta p = (\Delta p_{32} \times \text{viscosity of medium used}) / 32\text{cSt}."$$

Filter pressure drop based on 32cSt fluid viscosity and 0.87 density.

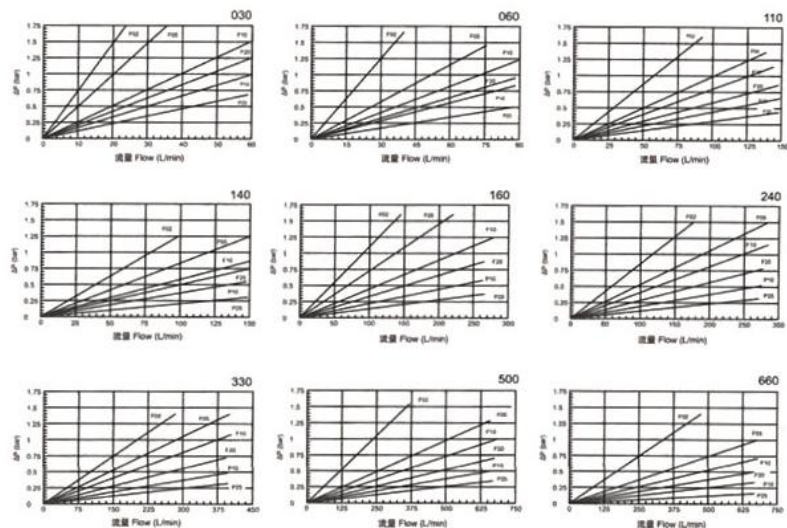
MF/HPB 高压板式过滤器 MF/HPB High Pressure Manifold Filter

MF/HPB 高压板式过滤器 MF/HPB High Pressure Manifold Filter

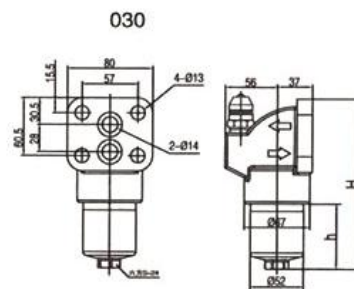
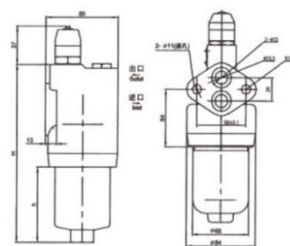
壳体压降 Filter Housing Pressure Drop



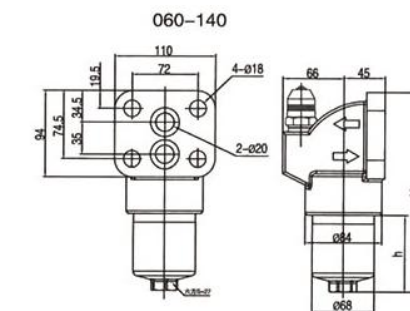
滤芯初始压降 Element Pressure Drop With Media



过滤器备件 Filter parts

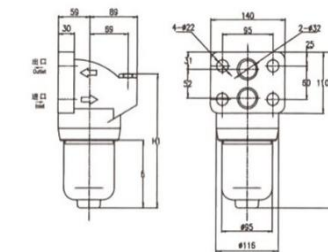


型号 Type	H	h	密封圈 O-ring
MF/HPB030	198	84	φ19×d2.5
MF/HPB060	229	114	
MF/HPB110	329	214	



型号 Type	H	h	密封圈 O-ring
MF/HPB030	197	78	φ18×d2.5
MF/HPB060	217	83	φ24×d3

型号 Type	H	h	密封圈 O-ring
MF/HPB110	284	150	φ24×d3
MF/HPB140	328	194	φ24×d3



型号 Type	H	H1	h	密封圈 O-ring
MF/HPB160	284	248	150	φ40×d3.5
MF/HPB240	328	292	194	

MF/HPD 叠加式高压过滤器

MF/HPD High Pressure Sandwich Stack Filter

最大流量:110L/min

Maximum flow :110L/min

最大压力:315bar

Maximum pressure:315bar



MF/HPD 叠加式高压过滤器 MF/HPD High Pressure Sandwich Stack Filter

MF/HPD 叠加式高压过滤器 MF/HPD High Pressure Sandwich Stack Filter

性能参数 Specifications

安装方式:板式安装

工作压力:315bar

工作温度:-30°C~+110°C

密封材料:丁腈橡胶、氟橡胶

过滤材料:玻纤、滤纸、不锈钢网

滤芯爆破压差:20bar

旁通阀&指示器设定:3.5bar 5.0bar 7.0bar 2.5bar 4.0bar 5.0bar

特点:

- 1.直接安装在电磁阀上面
- 2.过滤精度高、原始压力小，纳污量大
- 3.适用于自动控制系统和伺服系统

Installation method: Stacked mounting

Maximum work pressure:315bar

Operating temperature:-30°C ~+110°C

Sealing material: nitrile rubber, fluorine rubber

Filter material: glass fiber,filter paper, stainless steel mesh

Element collapse rating:20bar

Bypassvalve & indicator Settings:3.5bar 5.0bar 7.0bar 2.5bar 4.0bar 5.0bar

Features:

- 1.Install on the solenoid valve directly
- 2.High filtration accuracy,small original pressure, large amount of contamination
- 3.Suitable for automatic control system and servo system

MF/HPD 叠加式高压过滤器

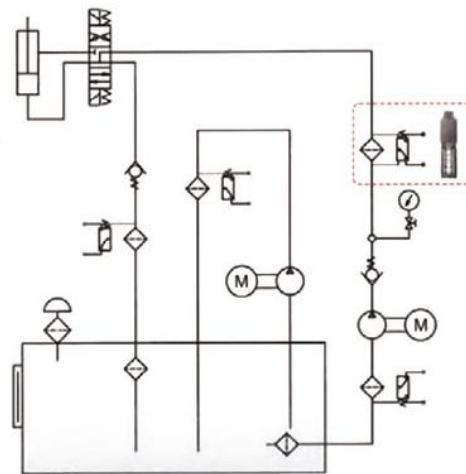
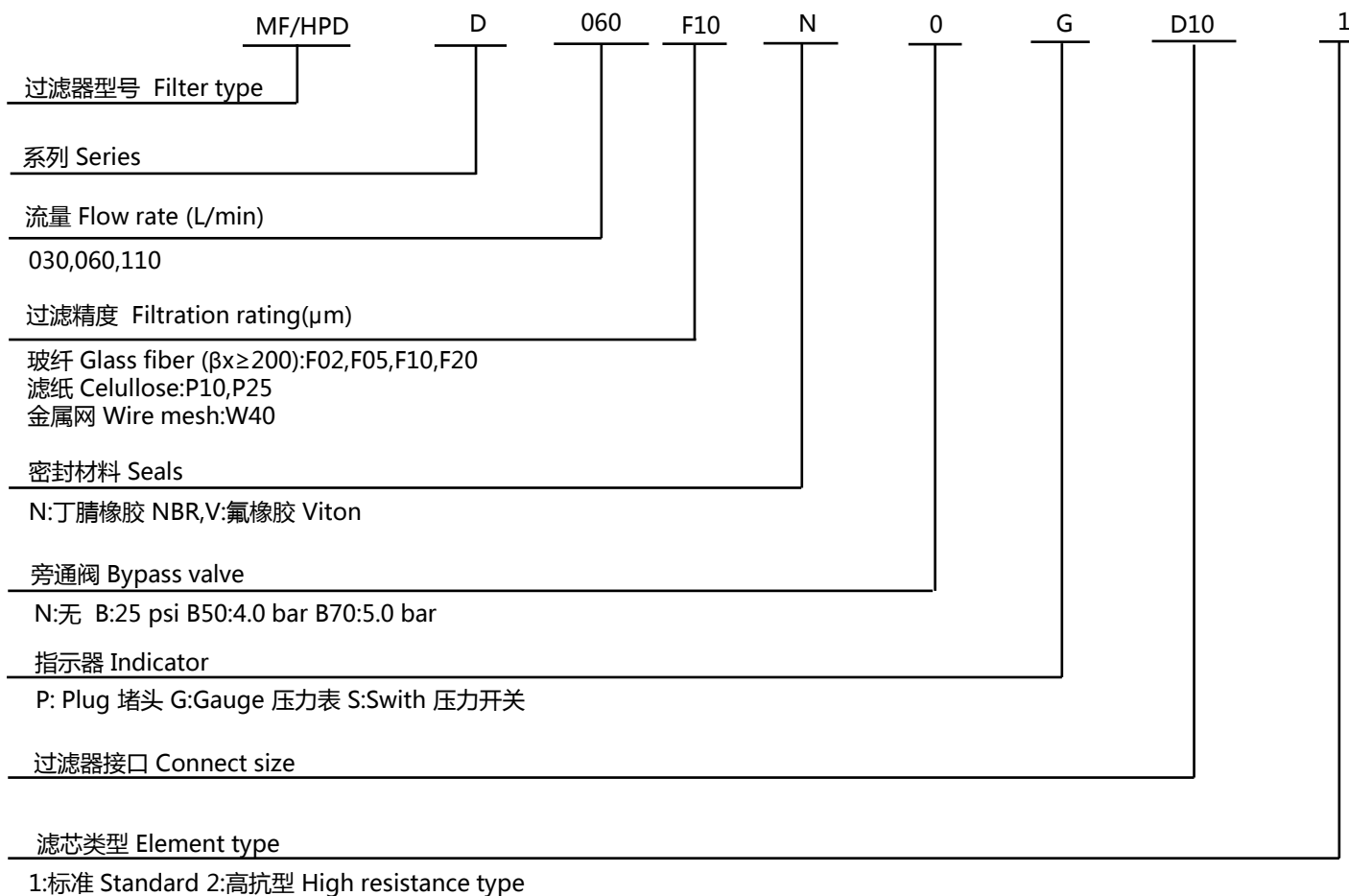
MF/HPD High Pressure Sandwich Stack Filter

MF/HPD 叠加式高压过滤器

MF/HPD High Pressure Sandwich Stack Filter

订货代码 Ordering code

过滤器 The Completed Filter

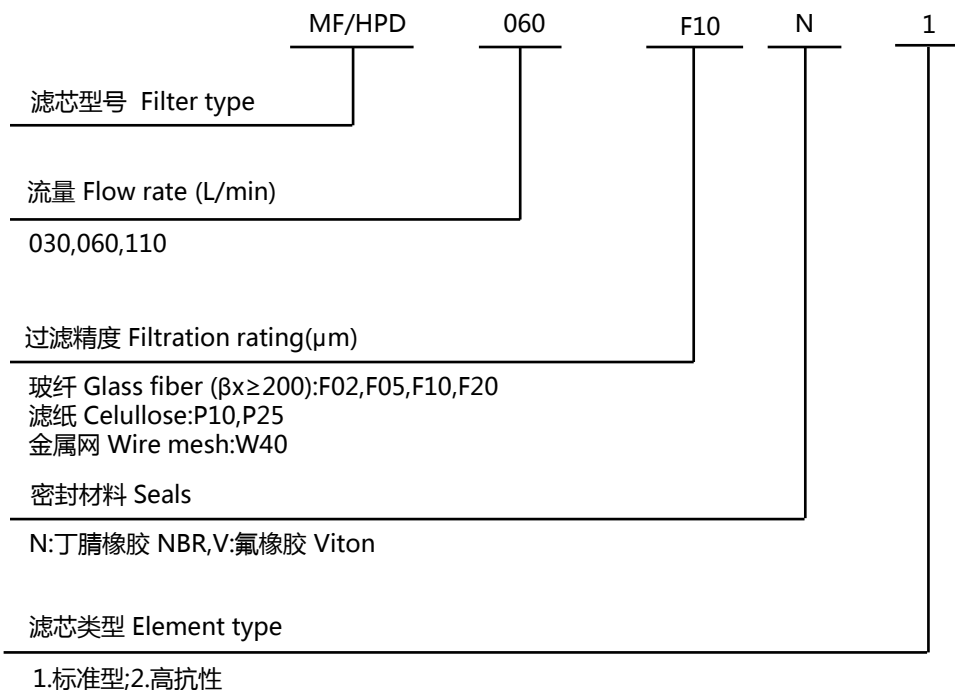


型号 Type	接口尺寸、类型 Port size	密封圈 O-ring
MF/HPD030	$\Phi 7.6$	D06
MF/HPD060	$\Phi 10.5$	D10
MF/HPD110		

MF/HPD 叠加式高压过滤器

MF/HPD High Pressure Sandwich Stack Filter

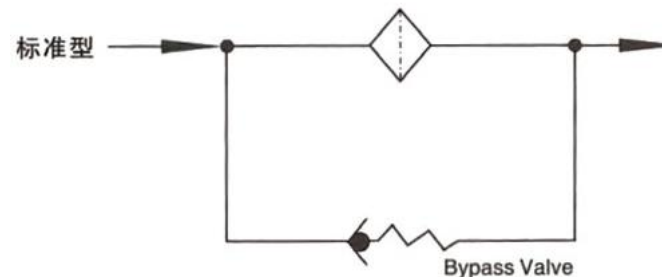
滤芯 The Replacement Element



MF/HPD 叠加式高压过滤器

MF/HPD High Pressure Sandwich Stack Filter

过滤原理图 Filter schematic diagram



指示器选项 Indicator option

额定电压	非电感负载(A)				电感负载(A)				涌入电流(A)	
	电阻负载		指示灯负载		电感负载		电机负载			
	N.C.	N.O.	N.C.	N.O.	N.C.	N.O.	N.C.	N.O.	N.C.	N.O.
125VAC	5		1.5	0.7	3		2.5	1.3	20max	10max
250VAC	3		1.0	0.5	2		1.5	0.8		
8VDC	5		2		5	4	3			
14VDC	5		2		4	4	3			
30VDC	4		2		3	3	3			
125VDC	0.4		0.05		0.4	0.4	0.05			
250VDC	0.2		0.03		0.2	0.2	0.03			

MF/HPD 叠加式高压过滤器

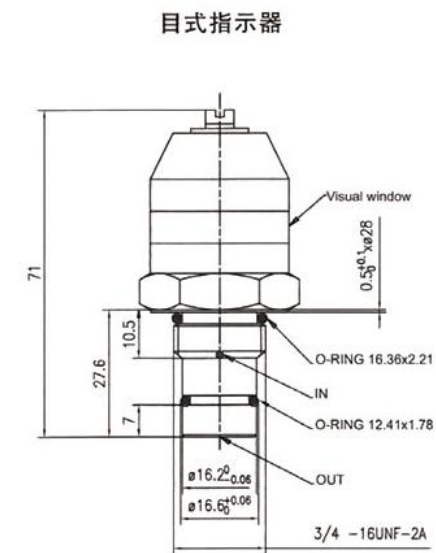
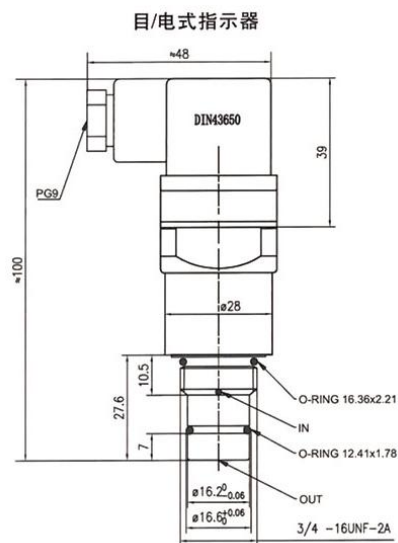
MF/HPD High Pressure Sandwich Stack Filter

MF/HPD 叠加式高压过滤器

MF/HPD High Pressure Sandwich Stack Filter

过滤效率Filtration efficiency

过滤等级					
平均过滤比 β (ISO 16889)/颗粒尺寸 μm [c]					
$\beta_x(c)=2$	$\beta_x(c)=10$	$\beta_x(c)=75$	$\beta_x(c)=100$	$\beta_x(c)=200$	$\beta_x(c)=1000$
%效率，基于以上过滤比(β_x)					
50.0%	90.0%	98.70%	99.0%	99.50%	99.90%
N/A	N/A	N/A	N/A	N/A	4.50%
N/A	N/A	4.5	5	6	7
N/A	6	8.5	9	10	12
6	11	17	18	20	22



性能参数 Specifications

Working Pressures to: 350 psi / 2415 kPa / 24.2 bar

Rated Static Burst to: 800 psi / 5520 kPa / 55.2 bar

Flow Range To:

MF/GZS05: 50 gpm / 189 lpm

MF/GZS25: 100 gpm / 379 lpm

Applications

- Case Drains
- Cooling Circuits
- Fluid Conditioning Systems
- Fuel Transfer
- Hydrostatic Charge Pumps
- Lube Oil Systems
- Power Transmissions
- Return Lines
- Side Loop Systems

Beta Rating

- Performance to $\beta_{<4(c)}=1000$

Porting Size Options

- MF/GZS05 1¼" NPT
- MF/GZS05 SAE-20 O-Ring
- MF/GZS05 1½" NPT
- MF/GZS05 SAE-24 O-Ring
- MF/GZS05 1½" SAE 4-Bolt Flange Code 61

Replacement Filter Lengths

- 7.6" / 193mm
- 11.63" / 295.4mm
- 14.2" / 361mm

工作压力：350 psi / 2415 kPa / 24.2 bar

额定额定静电冲击：800 psi / 5520 kPa / 55.2 bar

流量范围：

MF/GZS05:50 gpm / 189 lpm

MF/GZS25:100 gpm / 379 lpm

应用

- 外壳排水
- 冷却电路
- 流体调节系统
- 燃料传输
- 液体静压充电泵
- 润滑油系统
- 动力传输
- 回流管线
- 侧回路系统

β评级

- 性能 $\beta_{<4(c)}=1000$

端口尺寸选项

- MF/GZS05 1¼" NPT
- MF/GZS05 SAE-20 O型圈
- MF/GZS05 1½" NPT
- MF/GZS05 SAE-24 O型圈
- MF/GZS05 1½" SAE 4螺栓法兰代码61

更换过滤器长度

- 7.6"/193mm
- 11.63"/295.4mm
- 14.2"/361mm

性能参数 Specifications

Standard Bypass Ratings

- 25 psi / 173 kPa / 1.73 bar
- 50 psi / 345 kPa / 3.5 bar
- No Bypass

Assembly Weight

- 7.5 lbs / 3.4 kg (single)
- 16 lbs / 7.3 kg (double)

Operating Temperatures

- -20°F to 250°F / -29°C to 121°C (synthetic)
- -20°F to 225°F / -29°C to 107°C (cellulose)
- -20°F to 250°F / -29°C to 121°C (wire mesh)

Filter Collapse Ratings

- 200 psi / 13.8 bar

Housing Fatigue

Strength Ratings*

- 100,000 Cycles: 0-350 psi / 0-2413 kPa / 24.1 bar
- 300,000 Cycles: 0-300 psi / 0-2068 kPa / 20.7 bar
- 1,000,000 Cycles: 0-250 psi / 0-1734 kPa / 17.3 bar Filter Head

Construction

- Standard Head Cast Aluminum
- Ductile Iron Available in MF/GZS25

*Per T3.10.17 NFPA

标准旁通阀额定值

- 25 psi / 173 kPa / 1.73 bar
- 50 psi / 345 kPa / 3.5 bar
- 无旁路

组装重量

- 7.5磅/3.4公斤(单)
- 16磅/7.3公斤(双)

工作温度

- -20°F至250°F / -29°C至121°C(合成)
- -20°F至225°F / -29°C至107°C(纤维素)
- -20°F至250°F / -29°C至121°C(金属丝网)

过滤器崩溃额定值

- 200 psi / 13.8 bar

外壳疲劳

强度等级*

- 100,000次循环：0-350psi / 0-2413kPa / 24.1bar
- 300,000次循环：0-300psi / 0-2068kPa / 20.7bar
- 1,000,000次循环：0-250psi / 0-1734kPa / 17.3bar 过滤器头部结构
- 标准头部铸铝
- MF/GZS25可选球墨铸铁

*按T3.10.17NFPA

MF/GZS 双联过滤器

MF/GZS Double Filter

MF/GZS 双联过滤器

MF/GZS Double Filter

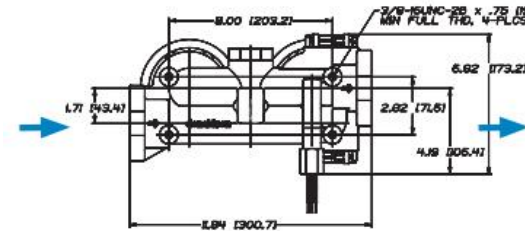
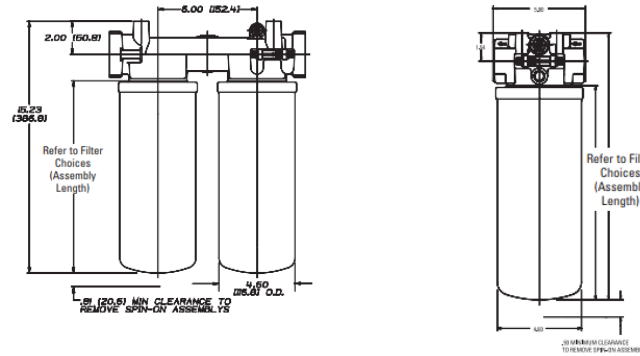
Features:

MF/GZS05 (single) and MF/GZS25 (double) Duramax spin-on filters are perfect for high-flow applications, featuring a heavy-duty steel body and die-cast top plate for added strength. A special head-to-canister O-Ring seal prevents leakage. Nitrile seals are standard. Fluorocarbon seals are available. Both models use the same replacement filters and have identical pressure ratings, so there's no need to inventory two different replacement filters. The MF/GZS double filter head means twice the flow capability, with two filters to hold more contaminant. Take advantage of ManFei's mix and match system of in-stock heads, housings and media choices for exactly what you need. Media options include wire mesh and ManFei's exclusive Synteq™ synthetic media.

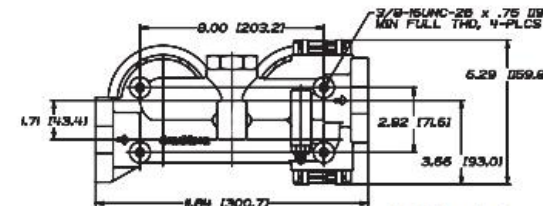
特点:

MF/GZS05(单)和MF/GZS25(双)Duramax旋转过滤器是高流量应用的完美选择,具有重型钢体和压铸顶板,以增加强度。一个特殊的头到罐o形环密封防止泄漏。丁腈密封是标准配置。氟碳密封是可用的。两种型号使用相同的更换过滤器,具有相同的额定压力,所以没有必要库存两个不同的更换过滤器。MF/GZS双过滤头意味着两倍的流量能力,两个过滤器容纳更多的污染物。充分利用满飞的混合和匹配系统的库存头部,外壳和媒体的选择,正是你需要的。媒体选项包括丝网和漫飞独有的Synteq™合成媒体。

外形安装尺寸 Dimensions



with AC/DC Electrical and Visual Indicators



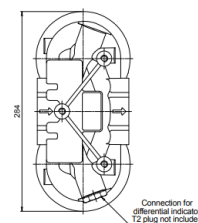
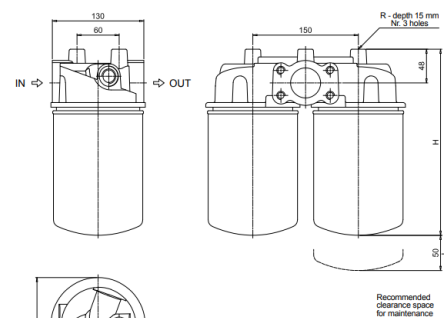
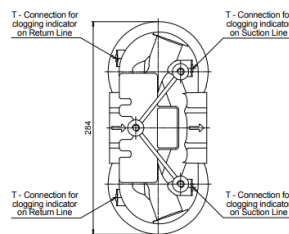
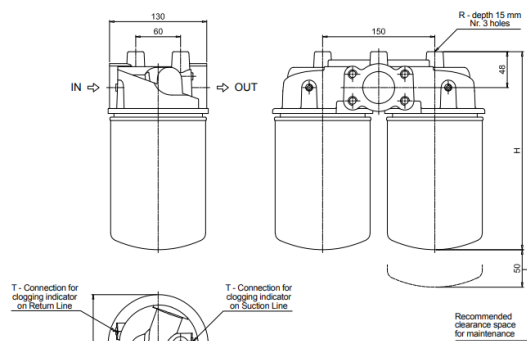
with DC Electrical and Visual Indicators



MF/GZWS 双联过滤器 MF/GZWS Double Filter

MF/GZWS 双联过滤器 MF/GZWS Double Filter

外形安装尺寸 Dimensions



Filter size	H [mm]
300	266
350	315

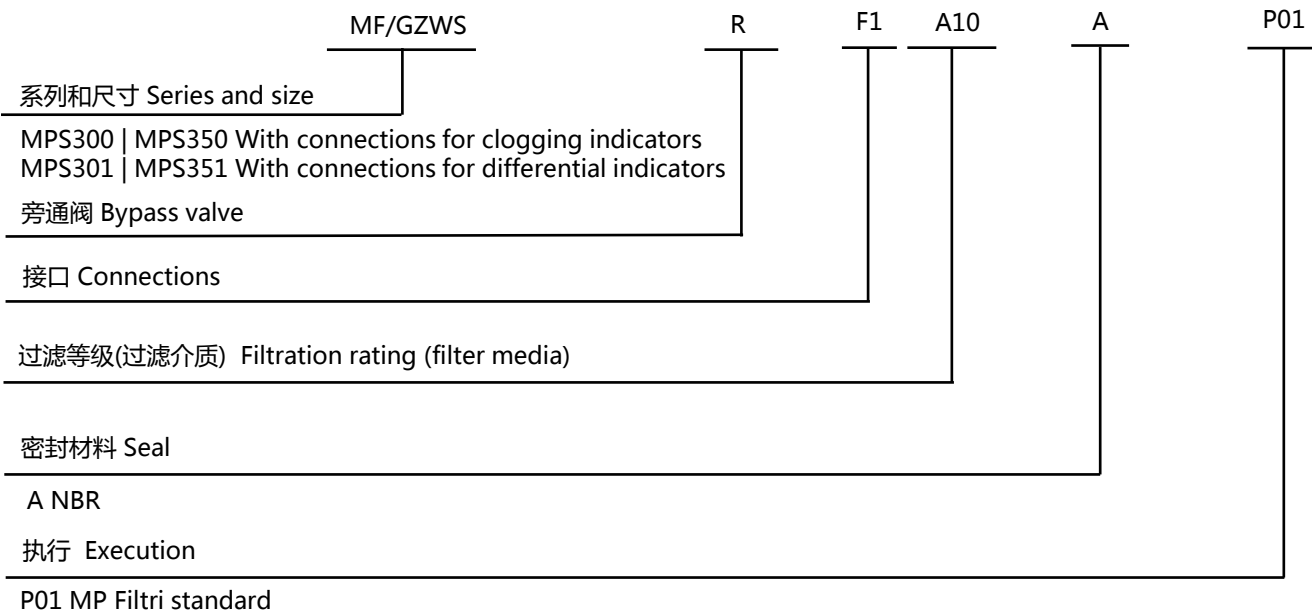
Connections	T	R
G1	G 1/8"	M10
G2-G3	1/8" NPT	7/16" UNC
F1	G 1/8"	M10
F2	1/8" NPT	7/16" UNC

Filter size	H [mm]
301	266
351	315

Connections	R
G1	M10
G2-G3	7/16" UNC
F1	M10
F2	7/16" UNC

订货代码 Ordering code

过滤器 The Completed Filter



Bypass valve		
	MPS 300-350	MPS 301-351
R Return:1.75 bar	•	•
S Suction:30 kPa	•	
U Without bypass	•	
P Without bypass		•

Seals and treatments	
A NBR, O-Ring on head	B NBR, flat seal on head
V FPM, O-Ring on head	D FPM, flat seal on head

Connections
G1 G1 1/2"
G2 1 1/2NPT
G3 SAE 24-1 7/8"-12UN
F1 1 1/2"SAE 3000 psi/M
F2 1 1/2" SAE 3000 psi/UNC

Filtration rating (filter media)	
A03 Inorganic microfiber 3 μm	M25 Wire mesh 25 μm
A06 Inorganic microfiber 6 μm	M60 Wire mesh 60 μm
A10 Inorganic microfiber 10 μm	M90 Wire mesh 90 μm
A25 Inorganic microfiber 25 μm	P10 Resin impregnated paper 10 μm
	P25 Resin impregnated paper 25 μm

MF/DLF 双联过滤器 MF/DLF Double Filter

MF/DLF 双联过滤器 MF/DLF Double Filter

性能参数 Specifications

用途: 双筒管路低压过滤器
 接口尺寸: G1¼", G1½", SAE DN40 3000psi
 流量: 至 400 l/min
 工作压力: 最大 25 bar
 爆破压力: 75 bar
 滤芯压差: 玻璃纤维21 bar
 金属网: 30 bar
 旁通阀开启压力: Δp 3.5 bar \pm 0.5 bar 或 Δp 7 bar \pm 0.5 bar
 指示器设定压力: Δp 2.5 bar \pm 10% 或 Δp 5 bar \pm 10%
 密封: 丁腈橡胶或氟橡胶 (-10°C至100°C)
 材料: 上、下壳体: 铝合金
 与介质相容性: 适用于矿物油、润滑油、抗燃油和可快速生物分解的介质。

(若用于含水介质, 请咨询我们的技术部。)

测试标准: ISO2941 抗破裂性检验

ISO2942 滤芯结构完整性试验

ISO2943 材料与液体相容性检验

ISO3723 滤芯额定轴向载荷检验

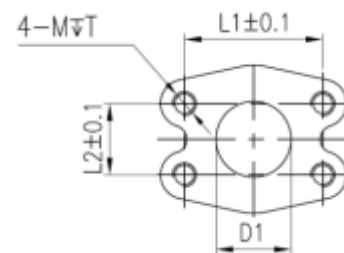
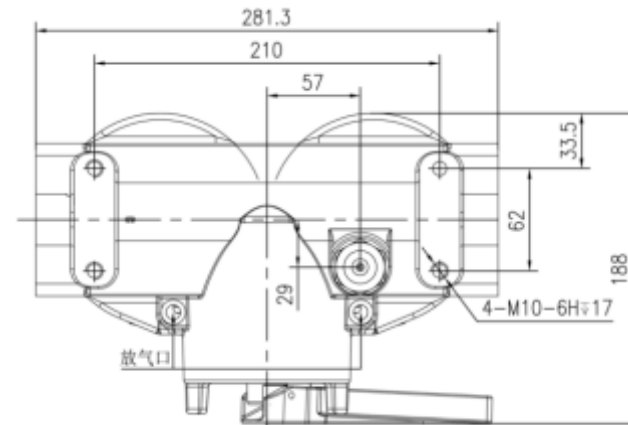
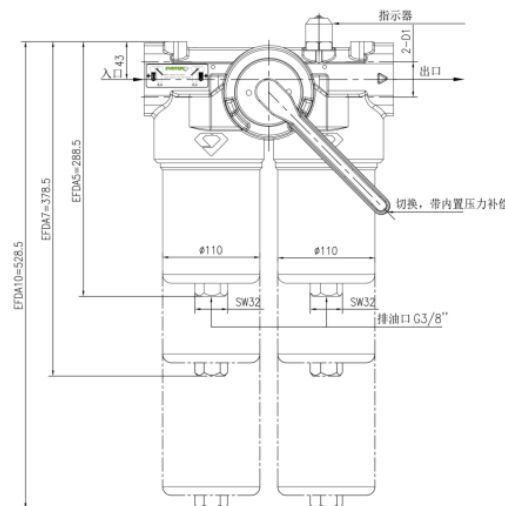
ISO3724 液压滤芯流动疲劳特性的验证

ISO3968 压降流量特性的评定

ISO16889 评价滤芯过滤性能的多次通过法



外形安装尺寸 Dimensions



型号	D1	L1	L2	M	T
MF/DLF5	G 1¼" G 1½" SAE DN40 3000 psi	69.9	35.7	12	23
MF/DLF7					
MF/DLF10					

订货信息 Ordering information

过滤器型号

壳体					
	型号	规格	接口	旁通阀	密封
	MF/DLF	表1	表2	表3	表4
示例	MF/DLF	5	BE	09	B

滤芯
过滤材料精度
表5
M10

附件	
指示器	特殊
表6	表7
V25	X

表4	
密封	材料
B	丁腈橡胶
V	氟橡胶

表3	
旁通阀	开启压力
00	无
09	3.5 bar
12	7 bar
X	特殊

滤芯型号

滤芯				
	型号	规格	密封	过滤材料精度
	MF/DLF	表1	表4	表5
示例	MF/DLF	5	B	M10

表1	
EVO型号	流量(L/min)
MF/DLF5	160
MF/DLF7	250
MF/DLF10	400

表2			
接口			型号
BE	BF	FE	
G1¼"	G1½"	SAE DN40 3000psi	
•	•	•	MF/DLF5
•	•	•	MF/DLF7
•	•	•	MF/DLF10

表5			
材料	原材料	过滤精度	允许压差
M03	玻璃纤维	3 μm	21 bar
M05	玻璃纤维	5 μm	21 bar
M10	玻璃纤维	10 μm	21 bar
M20	玻璃纤维	20 μm	21 bar
Y25	金属网	25 μm	30 bar
Y60	金属网	60 μm	30 bar
Y90	金属网	90 μm	30 bar
Y125	金属网	125 μm	30 bar

表6		
指示器	设定压力	型式
00	-	无
V25	2.5 bar	目视
E25	2.5 bar	目/电式
V50	5 bar	目视
E50	5 bar	目/电式

表7	
流向	型式
RL	反向

性能参数 Specifications

用途: 双筒管路过滤器

接口尺寸: G1" & G1½" , SAE DN25 3000 psi,

SAE DN40 3000 psi,

SAE DN50 3000 psi,

SAE DN65 3000 psi,

DIN DN80 3000 psi,

DIN DN100 3000 psi

流量: 至1300 L/min

工作压力: 最大16 bar

爆破压力: 75 bar

滤芯压差: 滤纸10 bar

玻璃纤维21 bar

金属网30 bar

旁通阀开启压力: $\Delta P = 3 \text{ bar} \pm 10\%$

指示器开启压力: $\Delta P = 2 \text{ bar} \pm 10\%$

密封: 丁腈橡胶或氟橡胶 (-10°C至100°C)

材料: 铸铁

与介质相容性: 适用于矿物油、润滑油、抗燃油和可快速生物分解的介质。(若用于含水介质, 请咨询我们的技术部。)

测试标准: ISO2941 抗破裂性检验

ISO2942 滤芯结构完整性试验

ISO2943 材料与液体相容性检验

ISO3723 滤芯额定轴向载荷检验

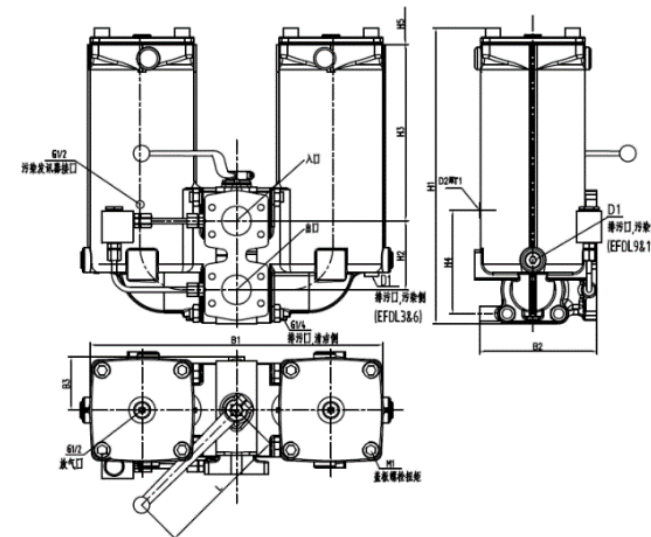
ISO3724 液压滤芯流动疲劳特性的验证

ISO3968 压降流量特性的评定

ISO16889 评价滤芯过滤性能的多次通过法

外形安装尺寸 Dimensions

DMF3 to DMF11

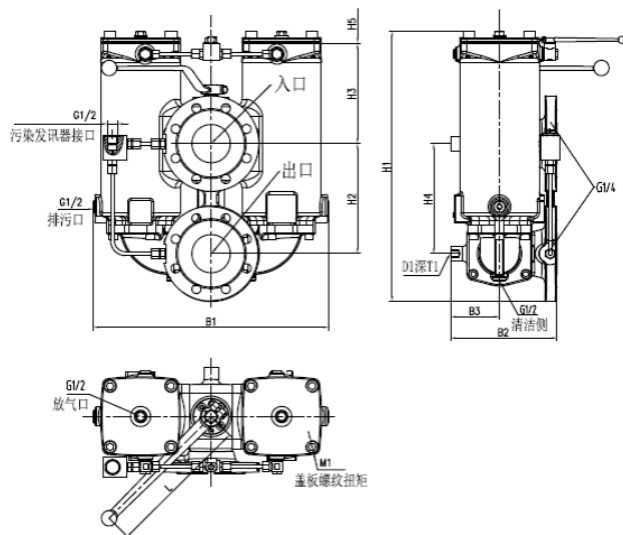


型号	法兰连接 ¹	B1	B2	B3	D1	D2	H1	H2	H3	H4	H5	L	M1	T1
MF/DMF3	G 1" / SAE DN25 3000psi	233	157	63	G ¾	M12	263	80	132	80	175	173	24 Nm	25
MF/DMF6	G 1½" / SAE DN40 3000psi	302	167	75	G ¾	M12	321	95	155	140	210	216	40 Nm	18
MF/DMF9	SAE DN40 3000psi	396	167	75	G ¾	M12	302	95	145	140	200	216	45 Nm	18
MF/DMF9	SAE DN50 3000psi	380	187	85	G ½	M12	323	110	140	165	200	216	45 Nm	18
MF/DMF11	SAE DN40 3000psi	396	167	75	G ¾	M12	382	95	145	140	280	216	45 Nm	18
MF/DMF11	SAE DN50 3000psi	380	187	85	G ½	M12	400	110	140	165	280	216	45 Nm	18

¹法兰连接SAE J518C (标准压力3000 psi), 螺纹连接按ISO228

外形安装尺寸 Dimensions

DMF3 to DMF11



型号	法兰连接 ¹	B1	B2	B3	D1	H1	H2	H3	H4	H5	L	M1	T1
MF/DMF12	SAE DN50 3000psi	496	187	85	M12	460	110	282	165	340	216	150 Nm	18
MF/DMF12	SAE DN65 3000psi	496	237	85	M12	472	110	282	165	340	216	150 Nm	18
MF/DMF12	DIN DN80 3000psi	490	222	102	M12	566	230	210	230	340	301	150 Nm	23
MF/DMF13	SAE DN50 3000psi	496	187	85	M12	544	110	282	165	420	216	150 Nm	18
MF/DMF13	SAE DN65 3000ps	496	237	85	M12	556	110	282	165	420	216	150 Nm	18
MF/DMF13	DIN DN80 3000psi	490	222	102	M12	650	230	210	230	420	301	150 Nm	23
MF/DMF14	DIN DN80 3000psi	548	222	102	M12	595	230	243	230	370	301	250Nm	23
MF/DMF14	DIN DN100 3000psi	555	248	118	M16	640	250	238	250	370	301	250Nm	23
MF/DMF16	DIN DN80 3000psi	548	222	102	M12	701	230	243	230	490	301	250Nm	23
MF/DMF16	DIN DN100 3000psi	555	248	118	M16	746	250	238	250	490	301	250Nm	23

¹ 法兰连接SAE J518C (标准压力3000 psi) & 接DIN2501, PN16 ("D" 型或 "E" 型密封)

订货信息 Ordering information

过滤器型号

壳体					滤芯		附件	
	型号	规格	接口	密封	旁通阀	过滤材料精度	指示器	特殊
	MF/DMF	表1	表2	表3	表4	表5	表6	X
示例	MF/DMF	3	BD	B	08	F03	2PE	X

滤芯型号

滤芯					
	型号	规格	密封	旁通阀	过滤材料精度
	MF/DMF	表1	表3	表4	表5
示例	MF/DMF	3	B	08	F03



MF/DMF 双联过滤器

MF/DMF Double Filter

MF/DMF 双联过滤器

MF/DMF Double Filter

EVO型号	流量(L/min)
MF/DMF3	110
MF/DMF6	240
MF/DMF9	330
MF/DMF11	500
MF/DMF12	660
MF/DMF13	850
MF/DMF14	950
MF/DMF16	1300

密封	材料
B	丁腈橡胶
V	氟橡胶

旁通阀	开启压力
00	无
08	3 bar
X	特殊

指示器	设定压力	型式
00	-	无
2PE	2 bar	电式
2PB	2 bar	目/电式

材料	原材料	过滤精度	允许压差
P10	滤纸	10 μm	10 bar
P20	滤纸	20 μm	10 bar
M03	玻璃纤维	3 μm	21 bar
M05	玻璃纤维	5 μm	21 bar
M10	玻璃纤维	10 μm	21 bar
M20	玻璃纤维	20 μm	21 bar
Y25	金属网	25 μm	30 bar
Y60	金属网	60 μm	30 bar
Y90	金属网	90 μm	30 bar
Y125	金属网	125 μm	30 bar

接口								型号
BD	BF	FC	FE	FF	FG	CH	CI	
G1"	G1½"	SAE DN25 3000 psi	SAE DN40 3000 psi	SAE DN50 3000 psi	SAE DN65 3000 psi	DIN DN80 3000 psi	DIN DN100 3000 psi	
•		•						MF/DMF3
	•		•					MF/DMF6
			•	•				MF/DMF9
			•	•				MF/DMF11
					•	•		MF/DMF12
					•	•		MF/DMF13
						•	•	MF/DMF14
						•	•	MF/DMF16

MF/LF 管路过滤器 MF/LF Inline Filter



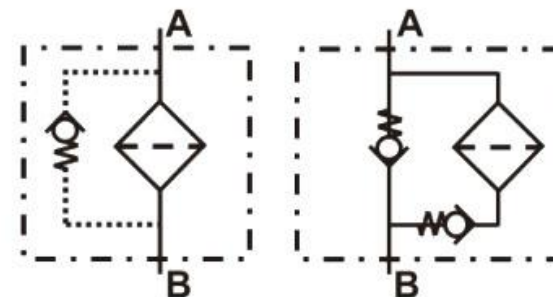
最大流量:500L/min
Maxmum flow:500L/min
最大压力:100bar
Maximum pressure:100bar



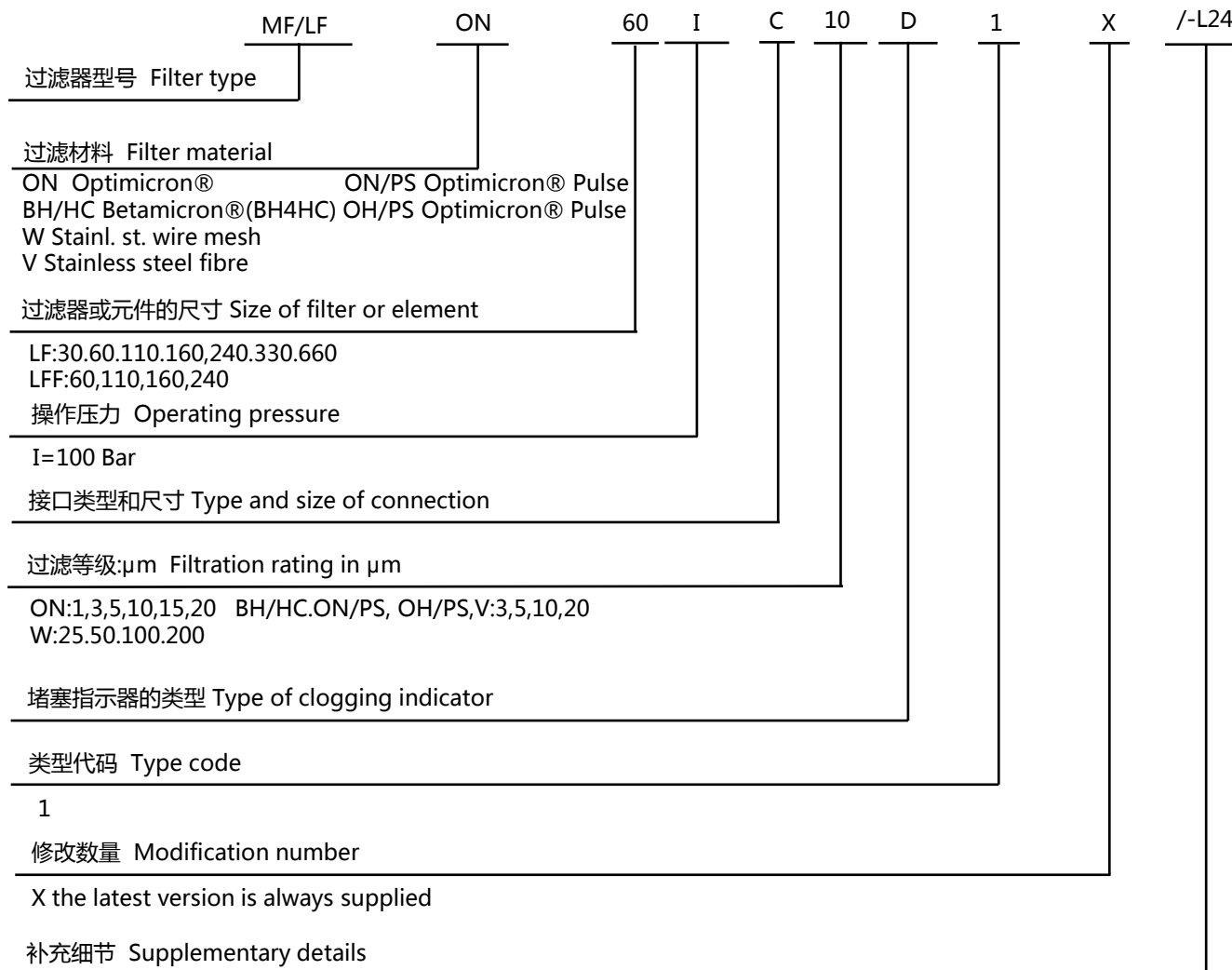
性能参数 Specifications

安装方式:管路安装
工作温度:-30°C~+100°C
密封材料:丁腈橡胶、氟橡胶
壳体材料:铸造铝
旁通阀设定 6bar
报警器报警压力设定 5bar
工作介质相容性
适合矿物油、人工合成油,其它介质咨询公司技术部门

Installation method: Inline installation
Operating temperature:-30°C~+100°C
Sealing material: nitrile rubber, fluorine rubber
Housing material: Castaluminum
Bypass valve settings 6bar
Alarm pressure setting 5bar
Working medium compatibility
Suitable for mineral oil,synthetic oil, other mediaconsulting company technical department



过滤器 The Completed Filter



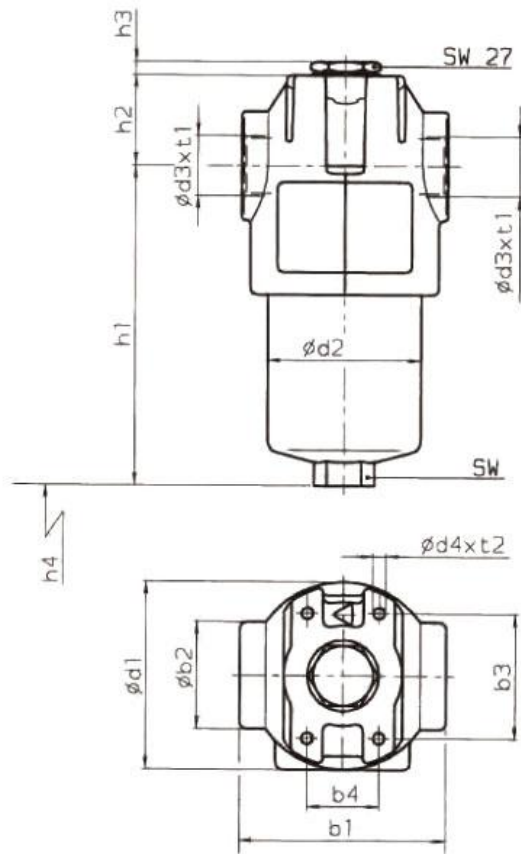
Y plastic blanking plug in indicator por
 A steel blanking plug in indicator port
 B visual
 C electrical
 D visual and electrical } for other clogging indicators,see brochure no.7.050../.

Supplementary details

- B. bypass cracking pressure (e.g.B6 =6 bar); without details = without bypass valve
- L... light with appropriate voltage(24V,48V,110V,220V) } only for clogging indicators
- LED 2 light emitting diodes up to 24 Volt } type"D"
- SO184 pressure release/oil drain screw (standard for LF330 and above)
- V FPM seals
- W suitable for HFA.HFC oil-water emulsions
 (only necessary when using a clogging indicator or V or W elements)

MF/LF 管路过滤器 MF/LF Inline Filter

MF/LF 管路过滤器 MF/LF Inline Filter



LF/LFF	b1	b2	b3	b4	d1	d2	d3	d4	h1	h2	h3	h4	SW	t1	t2	Weight including element [kg]	Volume of pressure chamber [l]
30	69	36	45	30	67	52	G ^{1/2}	M5	125.5	31	7	75	24	15	8	0.8	0.13
60	90	48	56	32	84	68	G ^{3/4}	M6	137.5	39	6	75	27	17	9	1.5	0.24
110	90	48	56	32	84	68	G ^{3/4}	M6	207.0	39	6	75	27	17	9	1.8	0.42
160	125	65	85	35	116	95	G ^{1 1/4}	M10	190.5	46	6	95	32	21	14	3.7	0.60
240	125	65	85	35	116	95	G ^{1 1/4}	M10	250.5	46	6	95	32	21	14	4.3	0.80
330	159	85	115	60	160	130	G ^{1 1/2}	M12	252.5	50	6	105	36	23	17	8.0	1.50
660	159	85	115	60	160	130	G ^{1 1/2}	M12	423.5	50	6	105	36	23	17	11.0	3.00

MF/HPF 管路过滤器 MF/HPF Inline Filter



最大流量:960L/min
Maximum flow:960L/min
最大工作压力:420bar
Maximum work pressure:420bar

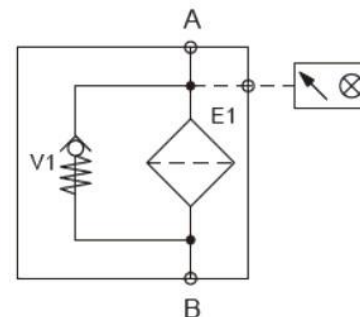


MF/HPF 管路过滤器 MF/HPF Inline Filter

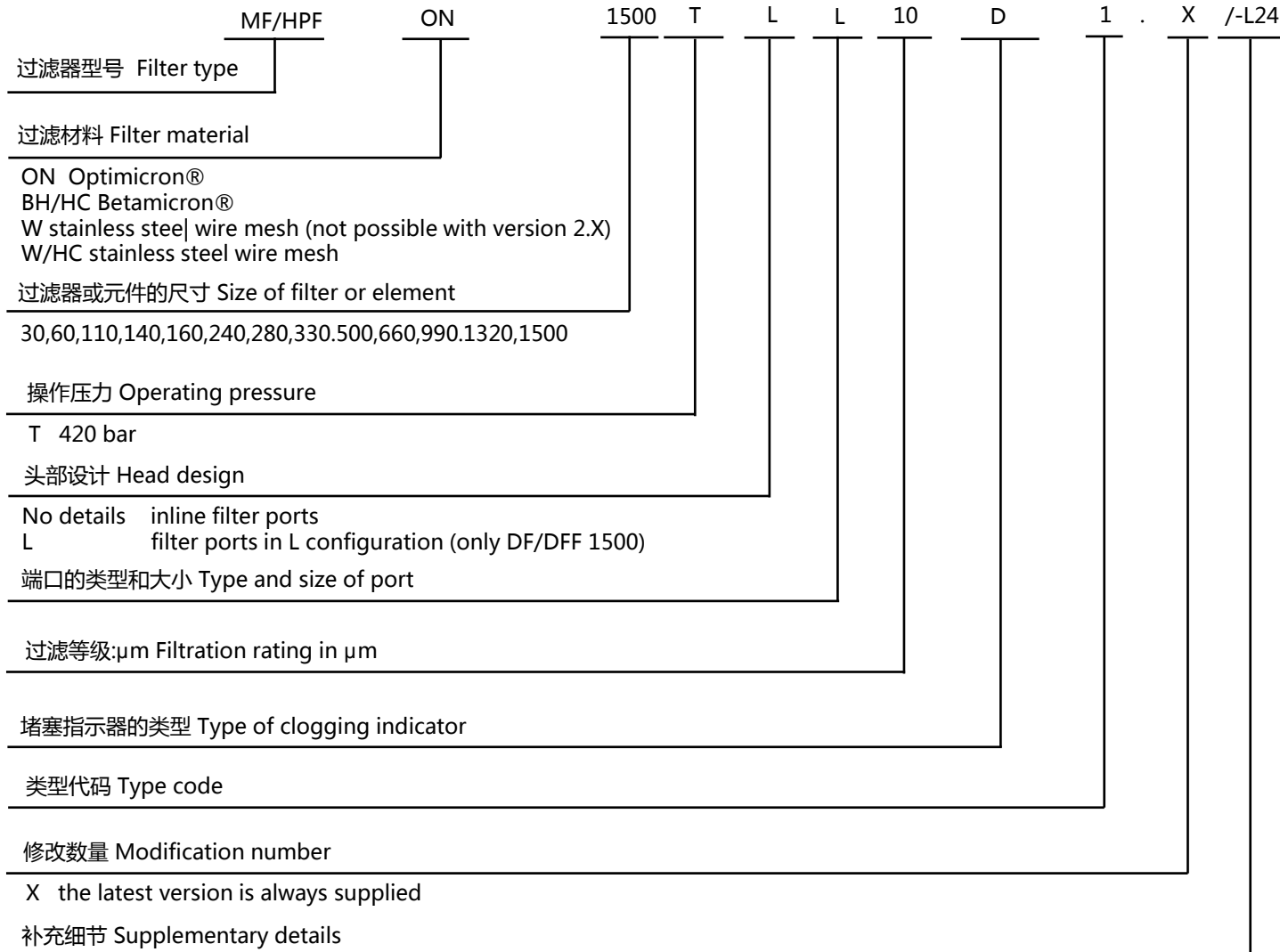
性能参数 Specifications

安装方式:管路安装
工作温度:-30°C ~ +100°C
密封材料:丁腈橡胶
滤头材质:EN-GJS400-15
滤筒材料:钢
旁通阀设定 6bar
报警器报警压力设定 5bar
工作介质相容性
适合矿物油、人工合成油,其它介质咨询公司技术部门

Installation method: Inline installation
Operating temperature:-30°C~ +100°C
Sealing material: nitrile rubber
Filter head material:EN-GJS400-15
Filter bowl material: Steel
Bypass valve settings 6bar
Alarm pressure setting 5bar
Working medium compatibility
Suitable for mineral oil,synthetic oil, other media consulting company technical department



过滤器 The Completed Filter



Type and size of port														
Type	Connection	Filter size												
		30	60	110	140	160	240	280	330	500	660	990	1320	1500
B	G 1/2	•												
C	G 3/4		√	√	√									
E	G 1 1/4					√	√	√						
F	G 1 1/4									•	•	•	•	•
G	G 2													•
I	SAE DN 20		•	•	•									
J	SAE DN 32					•	•	•						
L	SAE DN 50									√	√	√	√	•

Filtration rating in µm
 ON 3,5,10,20
 BH/HC 3,5,10,20
 W 25,50,100,200
 W/HC 25,50,100,200

Type of clogging indicator
 A with screw plug in indicator port
 B visual
 BM visual display with red pin
 C electrical
 D visual and electrical
 LE visual display, electrical switch at 100% of response pressure
 LZ visual display, electrical switch at 75% and 100% of response pressure

MF/HPF 管路过滤器

MF/HPF Inline Filter

MF/HPF 管路过滤器

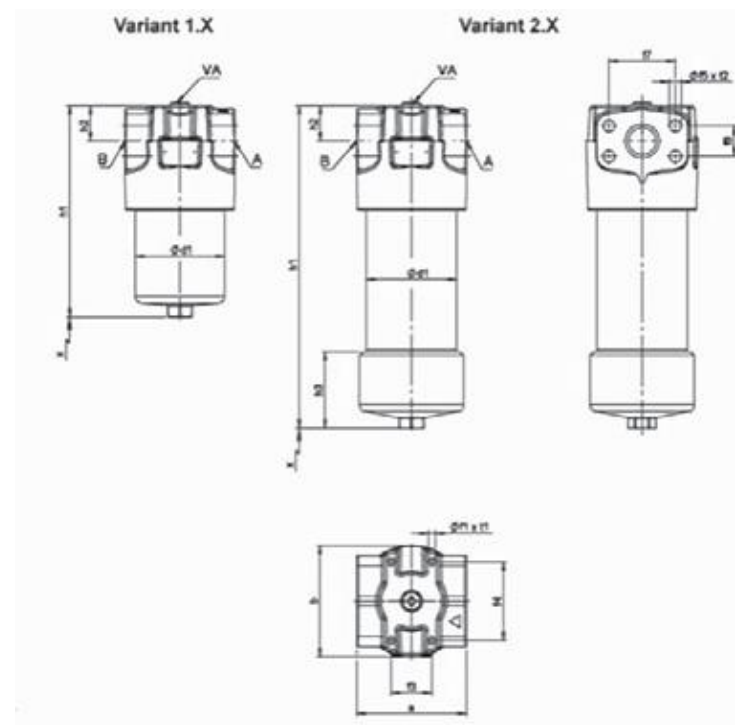
MF/HPF Inline Filter

Type code

- 1 one-piece filter bowl (up to DF/DFF 660)
- 2 two-piece filter bowl (DF/DFF 280 and above)
- 3 element top-removable (DF/DFF 330-1320)

Supplementary details

- V FKM seal, no details = NBR seal
- A Response pressure (e.g.:A2 = 2 bar), no details = 5 bar (DF),8 bar (DFF)
- B Bypass cracking pressure (e.g.:B6 = 6 bar), no details = no bypass valve (bypass not possible for DFF 1500)
- SO184 pressure relief screw/oil drain plug (series DF/DFF 330 and above)
- W suitable for oil-water emulsions HFA, HFC (only required if a clogging indicator is used, or V or W elements)
- SFREE Stat-Free
- L... lamp with corresponding voltage(24V,48V,110V,220V)(CI design: D)
- LED 2 LEDs up to 24-volt voltage(CI design: D)
- OE opening contact function
- SO135 for PLC controllers
- DB male connector in acc. with Daimler-Benz (CI design: LZ)
- AV male connector in acc. with Audi VW (CI design : LZ)
- BO male connector in acc. with BMW, Opel, Ford (CI design: LZ)



MF/HPF 管路过滤器

MF/HPF Inline Filter

MF/HPF 管路过滤器

MF/HPF Inline Filter

Size			a	b	Ød1	Øf1	f3	Øf5	f6	f7	h1	h2	h3	SW	t1	t2	x	Weight including element [kg]	Volume of pressure chamber [l]
30...	B...	1.X	68	69	52	M5	30	-	-	-	168.5	38	-	27	6	-	75	2.3	0.13
60...	C...	1.X	90	86	68	M6	32	-	-	-	184	40	-	27	9	-	85	4.5	0.2
60...	L...	1.X	89	86	68	M6	32	M10	23.8	50.8	184	40	-	27	9	15	85	4.5	0.2
110...	C...	1.X	90	86	68	M6	32	-	-	-	253.5	40	-	27	9	-	85	5.4	0.33
110...	L...	1.X	89	86	68	M6	32	M10	23.8	50.8	253.5	40	-	27	9	15	85	5.4	0.33
140...	C...	1.X	90	86	68	M6	32	-	-	-	294.5	40	-	27	9	-	85	6	0.4
140...	L...	1.X	89	86	68	M6	32	M10	23.8	50.8	294.5	40	-	27	9	15	85	6	0.4
160...	E...	1.X	125	119	95	M10	35	-	-	-	244	47	-	32	14	-	105	10.3	0.6
160...	J...	1.X	125	119	95	M10	35	M14	31.8	66.7	244	47	-	32	14	19	105	10.3	0.6
240...	E...	1.X	125	119	95	M10	35	-	-	-	303	47	-	32	14	-	105	11.8	0.8
240...	J...	1.X	125	119	95	M10	35	M14	31.8	66.7	303	47	-	32	14	19	105	11.8	0.8
280...	E...	1.X	125	119	95	M10	35	-	-	-	485	47	-	32	14	-	105	16.3	1.6
280...	J...	1.X	125	119	95	M10	35	M14	31.8	66.7	485	47	-	32	14	19	105	16.3	1.6
330...	F...	1.X	160	163	130	M12	60	-	-	-	309.5	52	-	36	17	-	115	24.5	1.5
330...	L...	1.X	160	163	130	M12	60	M20	44.5	96.8	309.5	52	-	36	17	25	115	24.5	1.5
500...	F...	1.X	160	163	130	M12	60	-	-	-	409.5	52	-	36	17	-	115	28.6	2.3
500...	L...	1.X	160	163	130	M12	60	M20	44.5	96.8	409.5	52	-	36	17	25	115	28.6	2.3
660...	F...	1.X	160	163	130	M12	60	-	-	-	479	52	-	36	17	-	115	31.6	3
660...	L...	1.X	160	163	130	M12	60	M20	44.5	96.8	479	52	-	36	17	25	115	31.6	3
330...	F...	2.X	160	163	132	M12	60	-	-	-	306	52	112	36	17	-	180	27.4	1.5
330...	L...	2.X	160	163	132	M12	60	M20	44.5	96.8	306	52	112	36	17	25	180	27.4	1.5
500...	F...	2.X	160	163	132	M12	60	-	-	-	395	52	112	36	17	-	270	31.5	2.3
500...	L...	2.X	160	163	132	M12	60	M20	44.5	96.8	395	52	112	36	17	25	270	31.5	2.3
660...	F...	2.X	160	163	132	M12	60	-	-	-	472	52	112	36	17	-	350	34.4	3
660...	L...	2.X	160	163	132	M12	60	M20	44.5	96.8	472	52	112	36	17	25	350	34.4	3
990...	F...	2.X	160	163	132	M12	60	-	-	-	628	52	112	36	17	-	500	43.4	4.2
990...	L...	2.X	160	163	132	M12	60	M20	44.5	96.8	628	52	112	36	17	25	500	43.4	4.2
1320...	F...	2.X	160	163	132	M12	60	-	-	-	794	52	112	36	17	-	670	51.1	5.6
1320...	L...	2.X	160	163	132	M12	60	M20	44.5	96.8	794	52	112	36	17	25	670	51.1	5.6
1500...	G...	2.X	196	176	152	M12	54	-	-	-	884.5	60	112	36	22	-	700	69.3	8.2
1500...	L...	2.X	196	176	152	M12	54	M20	44.5	96.8	884.5	60	112	36	22	30	700	69.3	8.2

MF/HLF 管路过滤器 MF/HLF Inline Filter



最大流量:100L/min
Maximum flow:100L/min
最大工作压力:280bar
Maximum work pressure:280bar

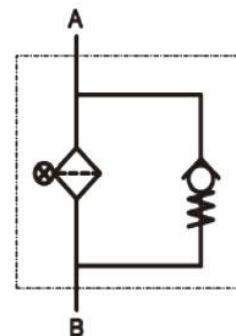
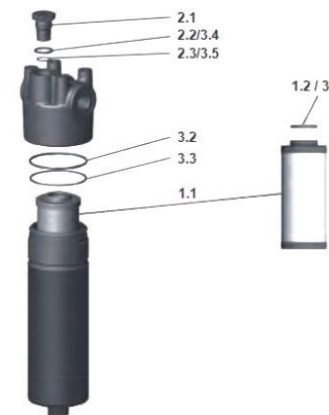


MF/HPF 管路过滤器 MF/HPF Inline Filter

性能参数 Specifications

安装方式:管路安装
工作温度:-30°C ~ +100°C
密封材料:丁腈橡胶
滤头材质:球墨铸铁
滤筒材料:钢
旁通阀设定 6bar
报警器报警压力设定 5bar
工作介质相容性
适合矿物油、人工合成油, 其它介质咨询公司技术部门

Installation method: Inline installation
Operating temperature:-30°C~ +100°C
Sealing material: nitrile rubber
Filter head material: Nodular cast iron
Filter bowl material: Steel
Bypass valve settings 6bar
Alarm pressure setting 5bar
Working medium compatibility
Suitable for mineral oil,synthetic oil, other media consulting company technical department



MF/XD 管路过滤器 MF/XD Inline Filter

MF/ XD 管路过滤器 MF/ XD Inline Filter

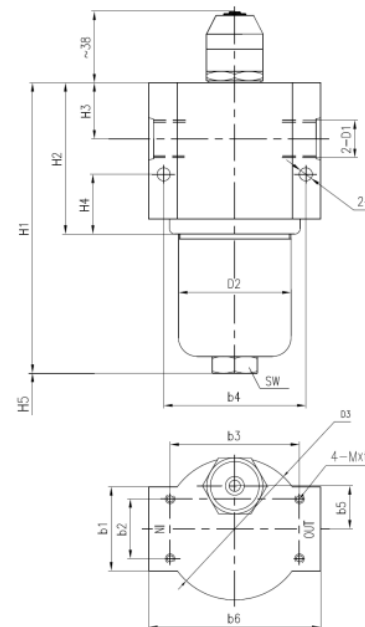
性能参数 Specifications

用途: 高压过滤器
 接口尺寸: G ½", G ¾", G 1", G 1¼", M18x1.5, M27x2, M33x2
 流量: 至 240 l/min
 工作压力: 最大 210 bar
 爆破压力: 630 bar
 滤芯压差: 滤纸10 bar
 玻璃纤维21 bar
 金属网30 bar
 旁通阀开启压力: $\Delta P = 6 \text{ bar} + 0.6 \text{ bar}$
 密封: 丁腈橡胶或氟橡胶 (-10°C至100°C)
 材料: 挤压铝
 与介质相容性: 适用于矿物油、润滑油、抗燃油和可快速生物分解的介质。
 (若用于含水介质, 请咨询我们的技术部。)
 测试标准: ISO2941 抗破裂性检验
 ISO2942 滤芯结构完整性试验
 ISO2943 材料与液体相容性检验
 ISO3723 滤芯额定轴向载荷检验
 ISO3724 液压滤芯流动疲劳特性的验证
 ISO3968 压降流量特性的评定
 ISO16889 评价滤芯过滤性能的多次通过法



外形安装尺寸 Dimensions

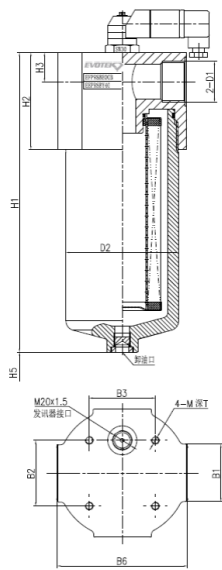
MF/XD0、MF/XD1、MF/XD2 & MF/XD3



型号 Model	H1	H2	H3	H4	H1	D1	D2	D3	2-d	b1	b2	b3	b4	b5	SW	M	t
MF/XD 0	157	82	30	32	50	G ½" M18x1.5	60	76	7	45	32	69.2	76	23	24	M6	18
MF/XD 1	200	82	30	32	50		60	76	7	45	32	69.2	76	23	24	M6	18
MF/XD 2	203	90	26	30	60	G ¾" M27x2	69	85	8.5	60	47	69.2	90	25	27	M8	21
MF/XD 3	298	90	26	30	60	G 1" M33x2	69	85	8.5	60	47	69.2	90	25	27	M8	21

外形安装尺寸 Dimensions

MF/XD5、MF/XD6 和MF/XD8



型号 Model	H1	H2	H3	H1	D1	D2	B1	B2	B3	B5	B6	SW	M	T
MF/XD 5	245	75.2	24.4	110	G1,M33×2	92	67	50.8	69.9	32	102	27	M8	15
MF/XD 6	255	75.2	24.4	110	G1,M33×2	92	67	50.8	69.9	32	102	27	M8	15
MF/XD 8	310	100	30	120	G1½	116	66	68	68	34	133	32	M8	17

订货信息 Ordering information

过滤器型号

壳体					
	型号	规格	接口	旁通阀	密封
	MF/XD	表1	表2	表3	表4
示例	MF/XD	2	BC	11	B

滤芯
过滤材料精度
表5
M03

附件	
指示器	特殊
表6	X
X50	X

滤芯型号

滤芯				
	型号	规格	密封	过滤材料精度
	MF/XD	表1	表4	表5
示例	MF/XD	2	B	M05

MF/XD 管路过滤器

MF/XD Inline Filter

MF/ XD 管路过滤器

MF/ XD Inline Filter

EVO型号	流量(L/min)
MF/XD0	20
MF/XD1	40
MF/XD2	60
MF/XD3	110
MF/XD5	160
MF/XD6	240
MF/XD8	280

接口							型号
BB	BC	BD	BE	MA	MF	MG	
G ½"	G ¾"	G 1"	G 1¼"	M18x1.5	M27x2	M33x2	
•				•			MF/XD0
•				•			MF/XD1
	•	•			•	•	MF/XD2
	•	•			•	•	MF/XD3
		•				•	MF/XD5
		•				•	MF/XD6
			•				MF/XD8

材料	原材料	过滤精度	允许压差
P10	滤纸	10 μm	10 bar
P20	滤纸	20 μm	10 bar
M03	玻璃纤维	3 μm	21 bar
M05	玻璃纤维	5 μm	21 bar
M10	玻璃纤维	10 μm	21 bar
M20	玻璃纤维	20 μm	21 bar
Y25	金属网	25 μm	30 bar
Y60	金属网	60 μm	30 bar

旁通阀	开启压力
00	无
11	6.0 bar

密封	材料
B	丁腈橡胶
V	氟橡胶

指示器	设定压力	型式
00	-	无
X50	5 bar	目视发讯器
Y50	5 bar	目/电发讯器

MF/GZ 旋装型高压过滤器

MF/GZ Spin-on Filter

最大流量:240L/min

Maximum flow:240L/min

最大工作压力:35bar

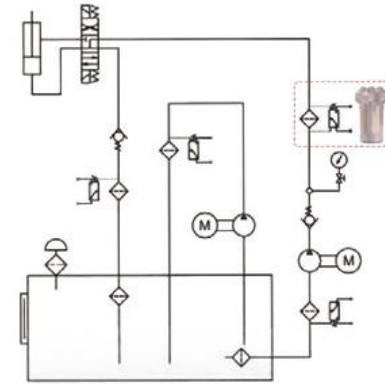
Maximum work pressure:35bar



性能参数 Specifications

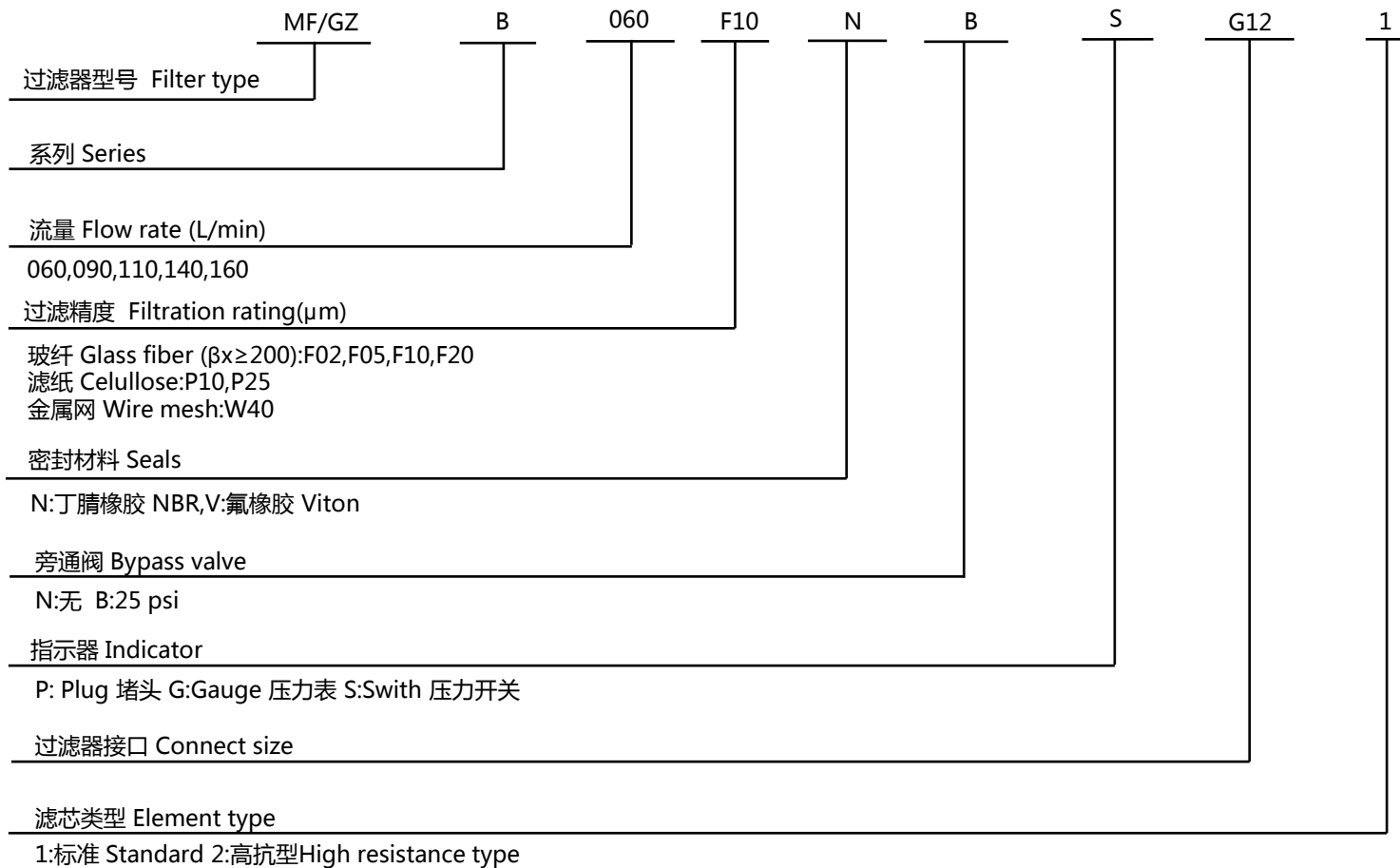
安装方式:管路安装
最大工作压力:35bar
爆破压力:78.5MPa
工作温度:-30°C ~+110°C
密封材料:丁腈橡胶、氟橡胶
过滤材料:玻纤、滤纸、不锈钢网
滤芯爆破压差:10bar
旁通阀&指示器设定 : 3.5bar
其他压差设置按用户需求
工作介质相容性 : 适合矿物油、人工合成油 , 其它介质咨询公司技术部门

Installation method: Pipeline installation
Maximum work pressure:35bar
Burst pressure: 78.5MPa
Operating temperature:-30°C~+110°C
Sealing material: nitrile rubber, fluorine rubber
Filter material: glass fiber,filter paper, stainless steel mesh
Element collapse rating : 10bar
Bypass valve & indicator Settings : 3.5bar
Other differential pressure Settings according to user requirements
Working medium compatibility : Suitable for mineral oil,synthetic oil, other media consulting company technical department



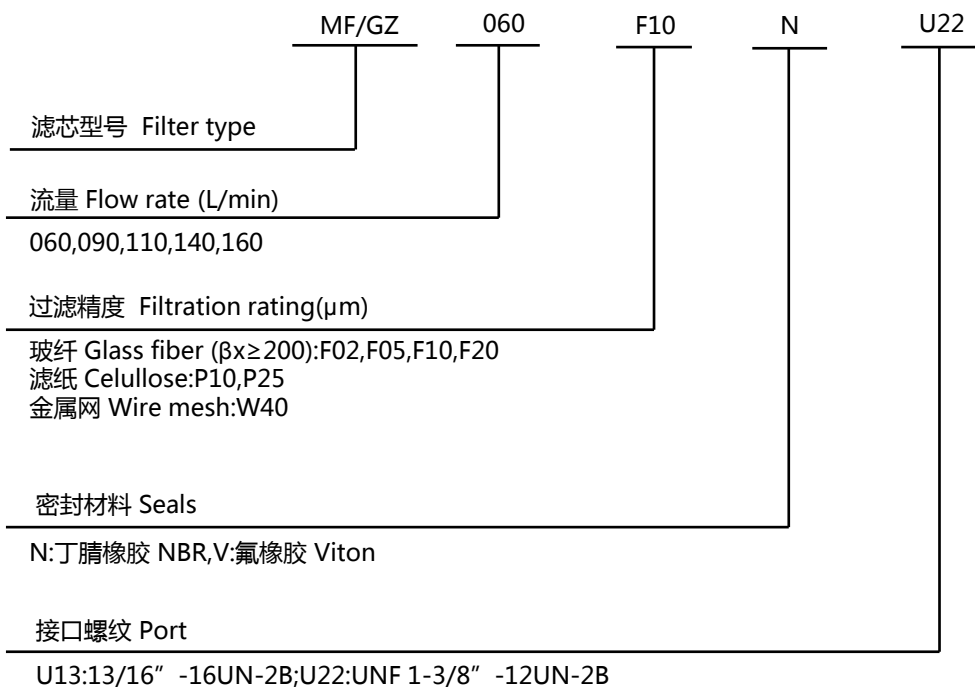
订货代码 Ordering code

过滤器 The Completed Filter



型号 Type	接口尺寸、类型 Port size	订货代码 Ordering code
MF/GZ060	G3/4 BSP	G12
	M27X2	M27
MF/GZ090	G3/4 BSP	G12
	M27X2	M27
MF/GZ110	G3/4 BSP	G12
	M27X2	M27
MF/GZ140	G3/4 BSP	G12
	M27X2	M27
MF/GZ160	G3/4 BSP	G12
	M27X2	M27

滤芯 The Replacement Element



过滤器主要参数 Filter Specification

型号 Type	接口 Ports	滤芯 Element	流量 Flow(L/min)
MF/GZ060	G ³ / ₄ , G1	MF/GZ060	60
MF/GZ090		MF/GZ090	90
MF/GZ110		MF/GZ110	110
MF/GZ140		MF/GZ140	140
MF/GZ160		MF/GZ160	160

压降曲线 Pressure Drop Curves

过滤器的压降是壳体的压降加上清洁滤芯的压降。推荐高压过滤器初始压降不大于 0.5bar 吸油过滤器初始压降不大于 0.03bar.

如果所使用的工作介质粘度不是 32cSt, 实际压降计算如下:

$$\Delta p = (\Delta p_{32} \times \text{工作介质粘度}) / 32\text{cSt.}$$

过滤器压降数据是基于工作介质的动力粘度 32cSt、密度 0.87 得到。

The Assembly Pressure Drop(ΔP) is obtained by adding the pressure drop values of the filter housing and of the clean filter element and the recommended level of the initial pressure drop for high pressure filters is Max.1.2 bar.

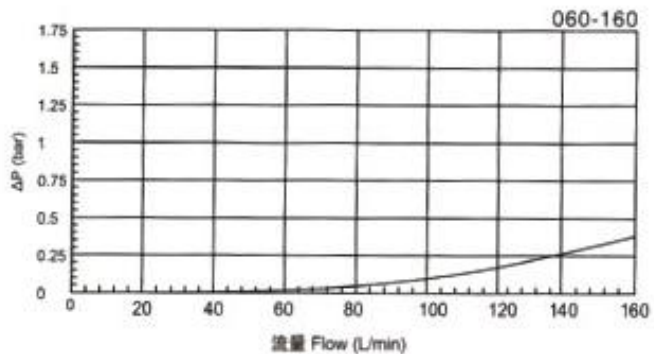
If the medium used has a viscosity different from 32cSt, pressure drop over the filter can be estimated as follows:

$$\Delta p = (\Delta p_{32} \times \text{viscosity of medium used}) / 32\text{cSt.} \quad \text{Filter pressure drop based on 32cSt fluid viscosity and 0.87 density.}$$

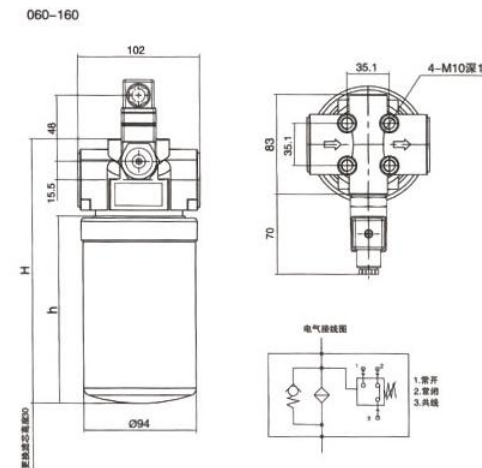
MF/GZ 旋装型高压过滤器 MF/GZ Spin-on Filter

MF/GZ 旋装型高压过滤器 MF/GZ Spin-on Filter

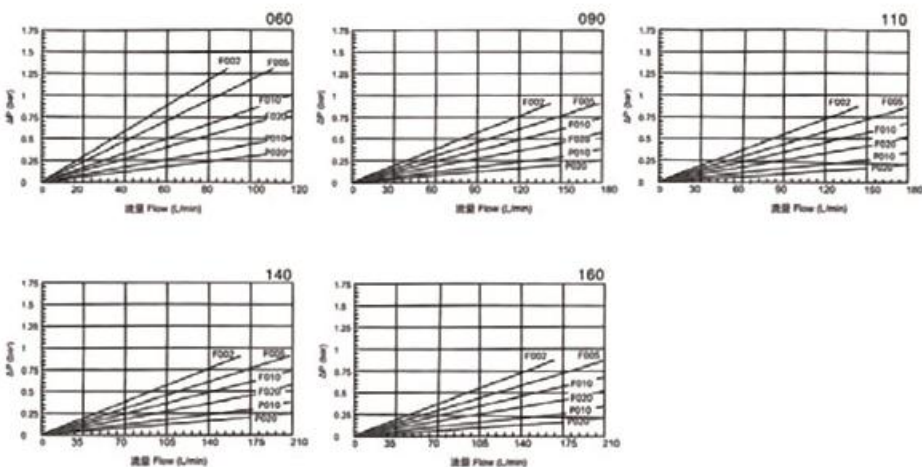
壳体压降 Filter Housing Pressure Drop



外形安装尺寸 Dimensions



玻纤和滤纸滤芯初始压降 clean Element Pressure Drop With Media F&P



型号 Type	P	H	h
MF/GZ060	G ³ / ₄ , G1	194	130
MF/GZ090		214	150
MF/GZ110		244	180
MF/GZ140		294	230
MF/GZ160		304	240

MF/GZW 旋装型低压过滤器

MF/GZW Spin-on Filter

最大流量:180L/min
Maximum flow:180L/min
最大工作压力:8bar
Maximum work pressure:8bar



性能参数 Specifications

安装方式:管路安装
工作压力:8bar
爆破压力:2.0MPA
工作温度:-30°C~+110°C
密封材料:丁腈橡胶、氟橡胶
过滤材料:玻纤、滤纸、不锈钢网
滤芯爆破压差:10bar
旁通阀
回油过滤器1.7bar
吸油过滤器-0.25bar
其他压差设置按用户需求
工作介质相容性
适合矿物油、人工合成油, 其它介质咨询公司技术部门

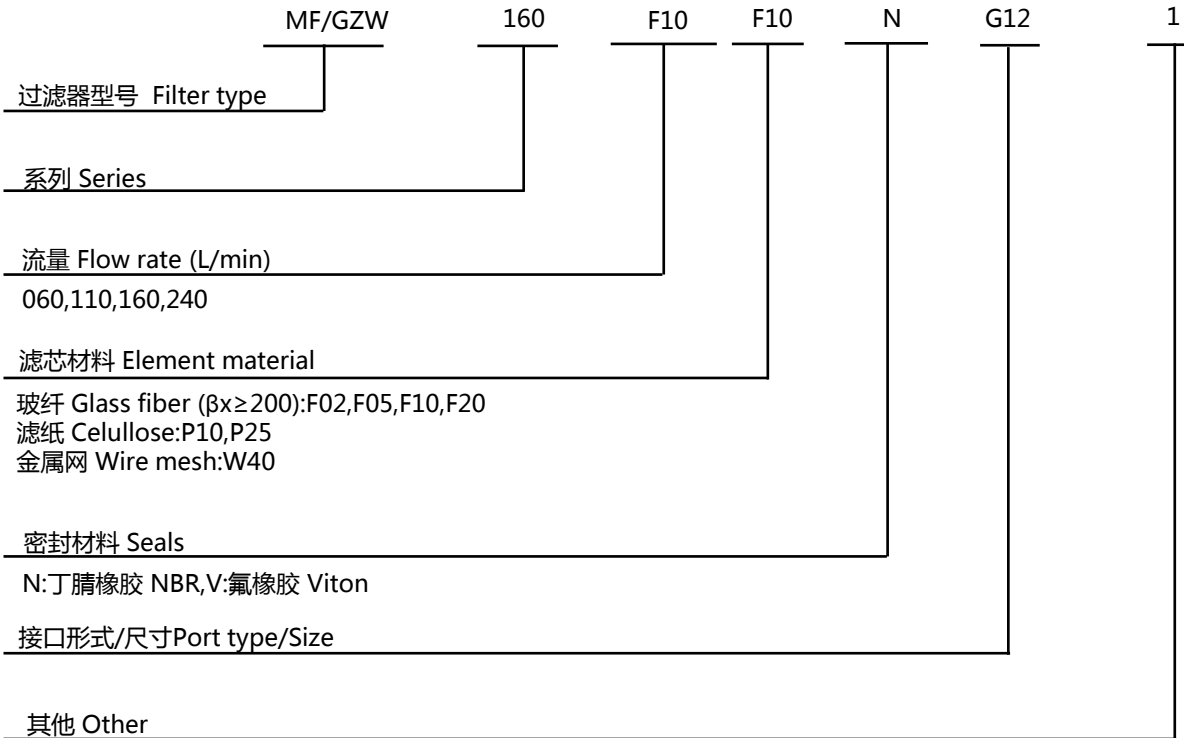
Installation method: Pipeline installation
Work pressure: 8bar
Burst pressure:2.0MPA
Operating temperature:-30°C~+110°C.
Sealing material: nitrile rubber, fluorine rubber
Filter material: glass fiber,filter paper, stainless steel mesh
Element collapse rating : 10bar
Bypass valve Settings
Return filter1.7bar
Suction filter-0.25bar
Other differential pressure Settings according to userrequirements
Working medium compatibility
Suitable for mineral oil,synthetic oil, other media consulting company technical department

MF/GZW 旋装型低压过滤器 MF/GZW Spin-on Filter

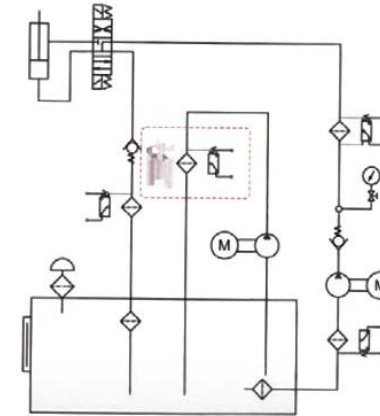
MF/GZW 旋装型低压过滤器 MF/GZW Spin-on Filter

订货代码 Ordering code

过滤器 The Completed Filter

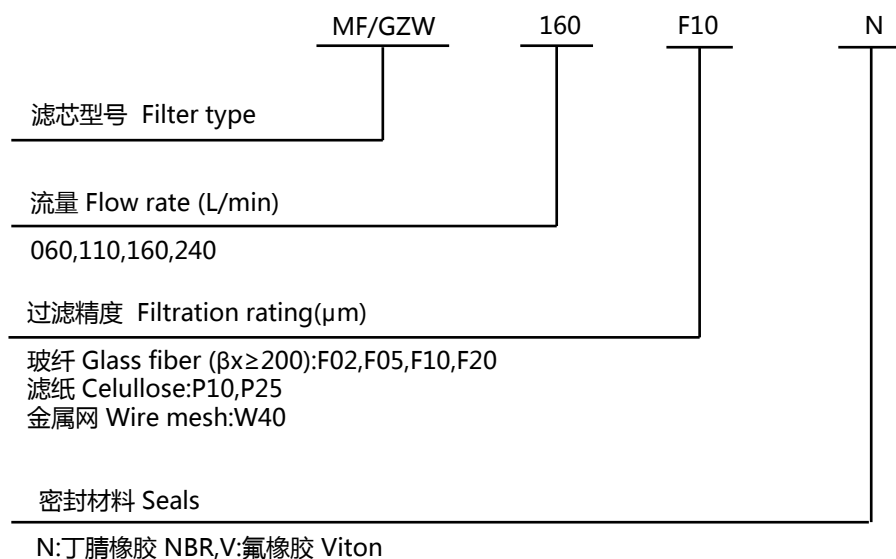


1:标准 Standard 2:客户定制 Customization



型号 Type	接口尺寸、类型 Port size	订货代码 Ordering code
MF/GZW080	G3/4 BSP	G12
MF/GZW160	M27X2	M27
MF/GZW180	G1-1/4 BSP	G20
MF/GZW230	M42X2	M42

滤芯 The Replacement Element



过滤器主要性能参数 Filter Specification

型号 Type	接口 Ports	滤芯 Element	流量 Flow(L/min)
MF/GZW080	G ³ / ₄ BSP, M27	MF/GZW060	60
MF/GZW160		MF/GZW110	110
MF/GZW180	G1- ¹ / ₄ BSP, M42	MF/GZW160	160
MF/GZW230		MF/GZW240	240

压降曲线 Pressure Drop Curves

过滤器的压降是壳体的压降加上清洁滤芯的压降。推荐高压过滤器初始压降不大于 0.5bar
吸油过滤器初始压降不大于0.03bar.

如果所使用的工作介质粘度不是32cSt，实际压降计算如下:

$$\Delta p = (\Delta p_{32} \times \text{工作介质粘度}) / 32\text{cSt.}$$

过滤器压降数据是基于工作介质的动力粘度 32cSt、密度 0.87 得到。

The Assembly Pressure Drop(ΔP)is obtained by adding te pressure drop values of the filer housing and of the clean filter element and the recommended level of the in itial pressure drop for high pressure filters is Max.1.2 bar.

If the medium used has a viscosity different from 32cSt,pressure drop over the filter can be estimated as follows:

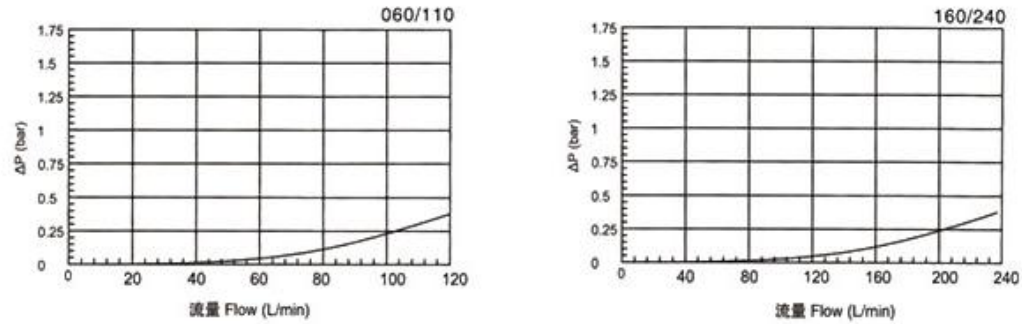
$$\Delta p = (\Delta p_{32} \times \text{viscosity of medium used}) / 32\text{cSt.}$$

Filter pressure drop based on 32cSt fluid viscosity and 0.87 density.

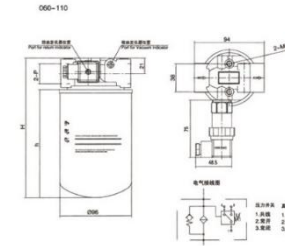
MF/GZW 旋装型低压过滤器 MF/GZW Spin-on Filter

MF/GZW 旋装型低压过滤器 MF/GZW Spin-on Filter

壳体压降 Filter Housing Pressure Drop

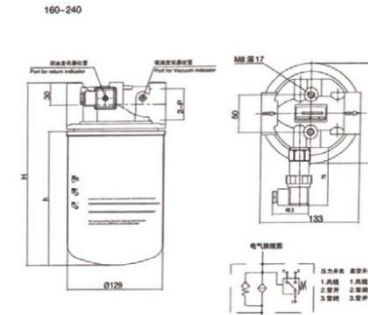
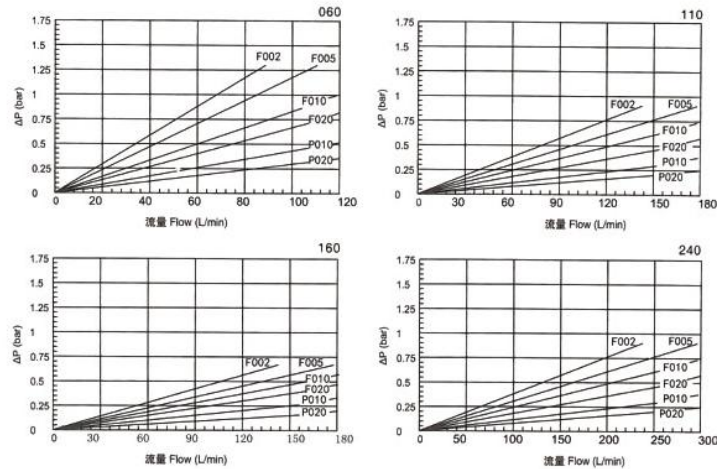


外形安装尺寸 Dimensions



型号 Type	P	h	H
0060	G3/4, M27×2	145	188
0110		191	234

玻纤和滤纸滤芯初始压降 clean Element Pressure Drop With Media F&P



型号 Type	P	H	h
0160	G1-1/4, M42×2	245	181
0240		290	226

MF/DAB 吸湿空气滤清器 MF/DAB Desiccant Air Breather

MF/DAB 吸湿空气滤清器 MF/ DAB Desiccant Air Breather

产品特点 Product characteristics

该空气滤清器干燥的吸湿剂呈蓝色，吸湿剂颜色变淡并逐渐呈红色直至变成淡红色，当吸湿剂呈粉红色时，吸湿剂已达饱和，应予更换或烘干再使用。

上盖材质:高强度碳钢

直管:PVC

滤芯:棉木纸浆

连接方式:英制螺纹连接

When moisture is absorbed, the drying agent granules will gradually change color from blue to pink. The granules should be changed when the color changes to pink.

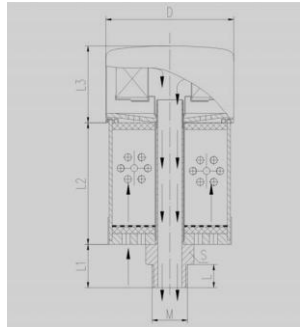
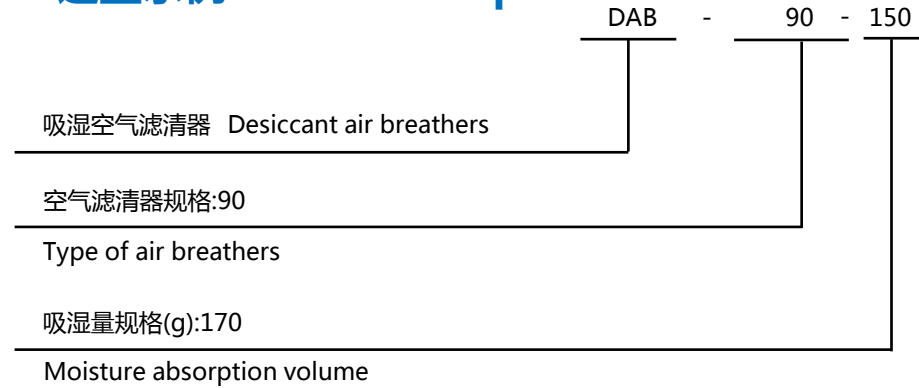
Top cover material: High strength carbon steel

Straight tube material:PVC

Filte element material.Cotton wood pulp

Type of connection:Inch threaded connection

选型示例 Order example



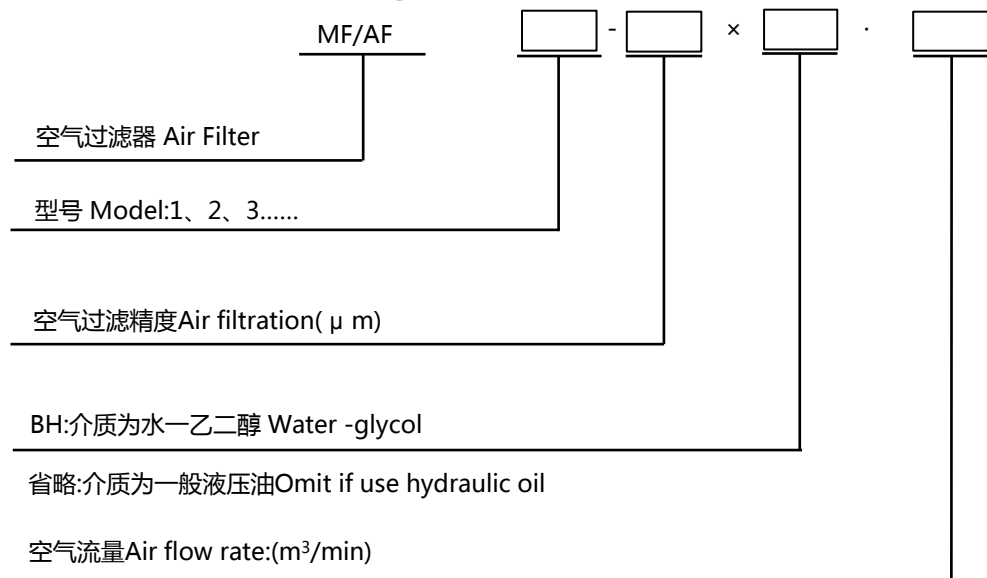
技术参数及外形尺寸 Technical data and external dimension



型号 Model	吸湿量 Moisture absorption volume	吸湿剂重量 Hygroscopic agent weight	最大空气流量 Max rate of air flow (m/min)	过滤精度 Filtration rating(μm)	空滤器型号 Model of air breather	D	L1	L2	L3	L	M	S
MF/DAB-90-90	85	270	0.5	3	AB-90	95.5	33	90	58	18	G3/4	36
MF/DAB-90-150	170	540						150				
MF/DAB-120-145	285	840	1.25		AB-120	126.5	45	145	99	25	G1 1/4	53
MF/DAB-120-255	570	1680						255				

注:如有特殊要求, 请咨询本公司。 Note:If any other requirements,please consult us.

订货代码 Ordering code

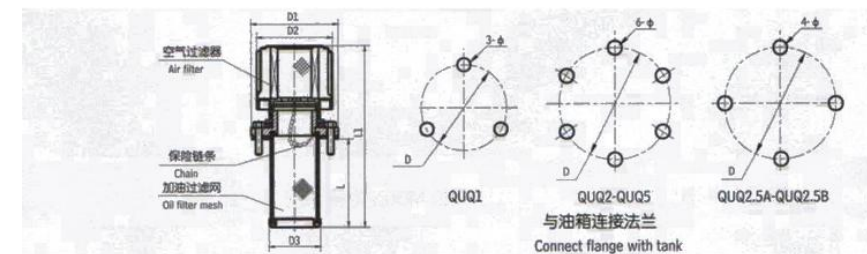


外形安装尺寸 Dimensions

型号 Model	D	D1	D2	D3	L	L1	安装螺钉 Screw	ϕ
MF/AF 1	ϕ 41.3	ϕ 50	ϕ 44	ϕ 28	82	134	3-M4x16	ϕ 4.5
MF/AF 2	ϕ 73	ϕ 83	ϕ 76	ϕ 48	98	159	6-M4x8	
MF/AF 2b	ϕ 88	ϕ 97	ϕ 76	ϕ 48	98	159	6-M4x8	
MF/AF 2.5	ϕ 110	ϕ 123	ϕ 113	ϕ 76	150	239	6-M4x8	ϕ 9
MF/AF 2.5A	ϕ 96	ϕ 114	ϕ 90	ϕ 76	192	241	4-M8x12	
MF/AF 2.5B	ϕ 105	ϕ 123	ϕ 90	ϕ 80	185	237	4-M8x12	ϕ 9
MF/AF 3	ϕ 145	ϕ 160	ϕ 150	ϕ 89	195	320	6-M4x12	ϕ 4.5
MF/AF 4	ϕ 250	ϕ 280	ϕ 256	ϕ 153	254	379	6-M10x20	ϕ 11
MF/AF 5	ϕ 280	ϕ 320	ϕ 295	ϕ 197	270	395	6-M12x20	ϕ 13

技术参数 Technical data

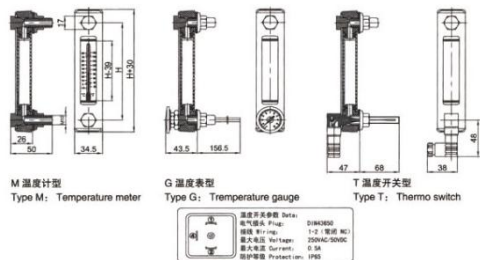
型号 Model	MF/AF ₁ - * x *	MF/AF ₂ - * x *	MF/AF _{2.5} - * x *	MF/AF ₃ - * x *	MF/AF ₄ - * x *	MF/AF ₅ - * x *
空气过滤精度Air filtration(μ m)	10 20 40					
空气流量Air flow rate(m^3/min)	0.25 0.4 1.0	0.63 1.0 2.5	1.0 2.0 3.0	1.0 2.5 4.0	2.5 4.0 6.3	4.0 6.3 10
温度适应范围Temp.range($^{\circ}C$)	-20~+100					
油过滤网孔Oil filter mesh(mm)	0.5(可根据用户要求选择)(or as customer required)					
注:表中空气流量是空气阻力 $\Delta P=0.02MPa$ 时的值						



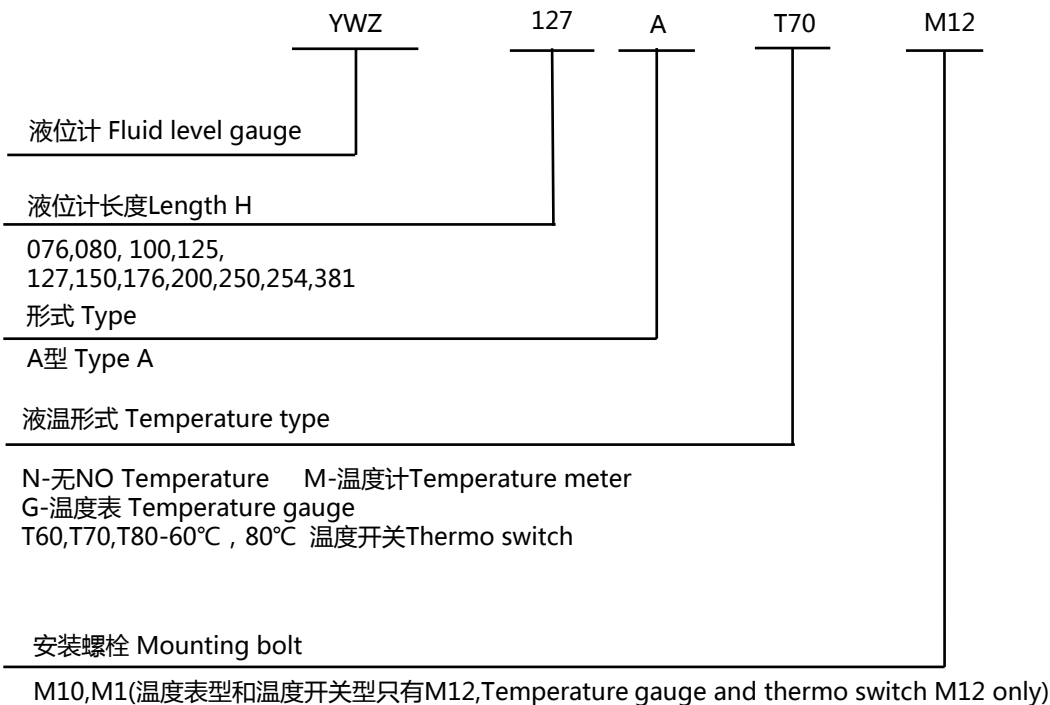
MF/YWZ 带温度开关液温液位计 Fluid Level Gauges With Thermo Switch

性能参数 Specifications

安装扭矩:10Nm
工作温度:-30°C~+110°C
工作压力:最大1bar
密封材料:丁腈橡胶



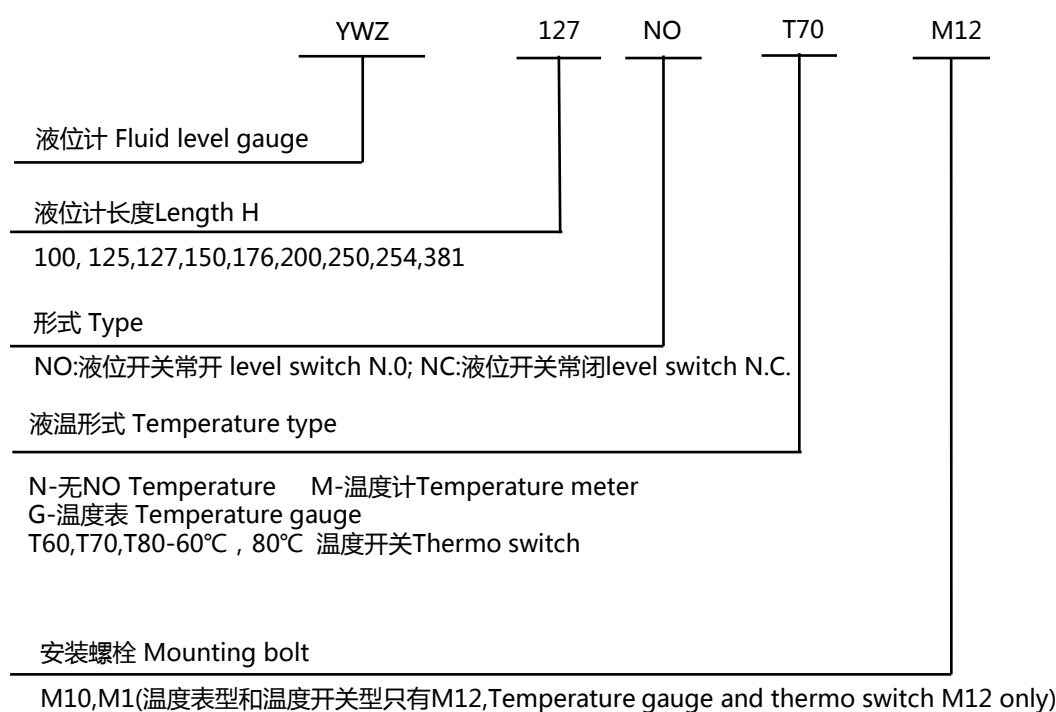
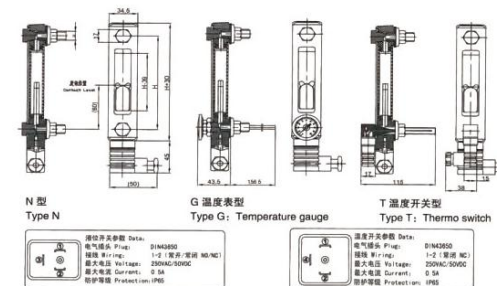
订货代码 Ordering code



MF/YWZ 带温度开关液温液位计 Fluid Level Gauges With Thermo Switch

性能参数 Specifications

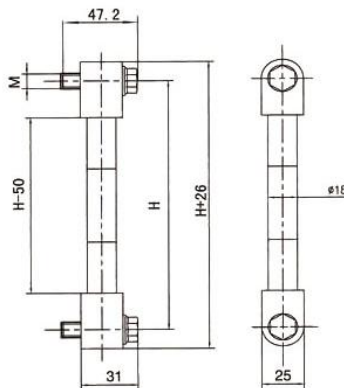
安装扭矩:10Nm
工作温度:-30°C~+110°C
工作压力:最大1bar
密封材料:丁腈橡胶



液温液位计 Fluid Level Gauges

性能参数 Specifications

安装扭矩:10~15Nm
工作温度:-30°C~+110°C
工作压力:最大1bar
密封材料:丁腈橡胶



C型 Type C

订货代码 Ordering code

YWZ 127 C N M10

液位计 Fluid level gauge

液位计长度Length H

076,127,176,254(其他长度可按用户要求定制Other length as required)

形式 Type

C型 Type C

液温形式 Temperature type

N-无Without

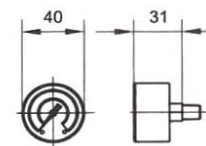
安装螺栓 Mounting bolt M10

压力/真空发讯装置 Pressure / Vacuum Indicators

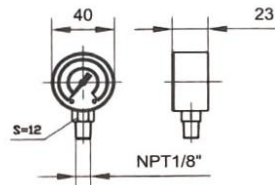
性能参数 Specifications

工作温度:-30°C~+110°C
密封材料:丁腈橡胶

轴向压力 / 真空表
Axial mounting pressure / Vacuum gauge

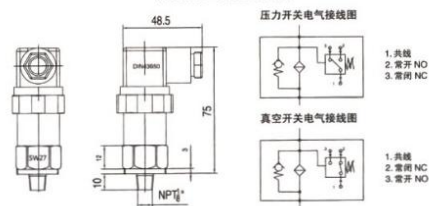


径向压力 / 真空表
Radial mounting pressure / Vacuum gauge



型号 Type	名称 Description	发讯值 Value(bar)
PG040R010N02	径向压力表 Radial pressure gauge	0~+10
PG040A010N02	轴向压力表 Axial pressure gauge	
VG040R001N02	轴向真空表 Radial vacuum gauge	0~-1
VG040A001N02	轴向真空表 Axial vacuum gauge	

压力 / 真空开关
Pressure / Vacuum switch



型号 Type	名称 Description	发讯值 Value(bar)
PS001N015N02	压力开关 Pressure switch	1.5
PS001N025N02		2.5
PS001N035N02	真空开关 Vacuum switch	3.5
VS001N025N02		0~-0.25

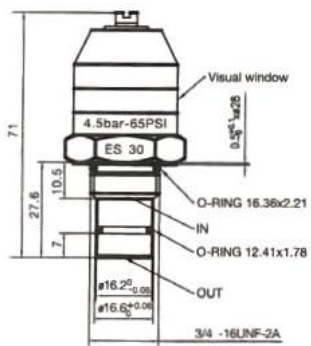
压差发讯装置 Differential Pressure Indicators

性能参数 Specifications

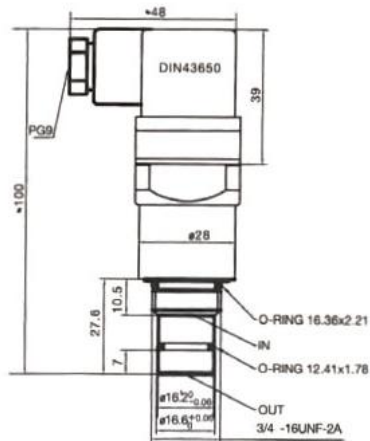
工作压力:最大1bar
工作温度:-30°C~+110°C
密封材料:丁腈橡胶



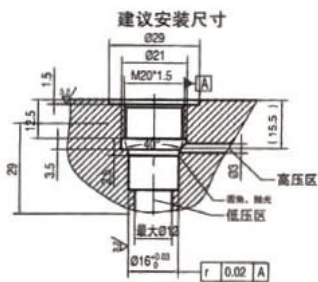
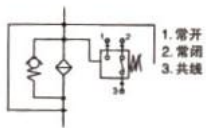
目视压差发讯器



目/电压差发讯器



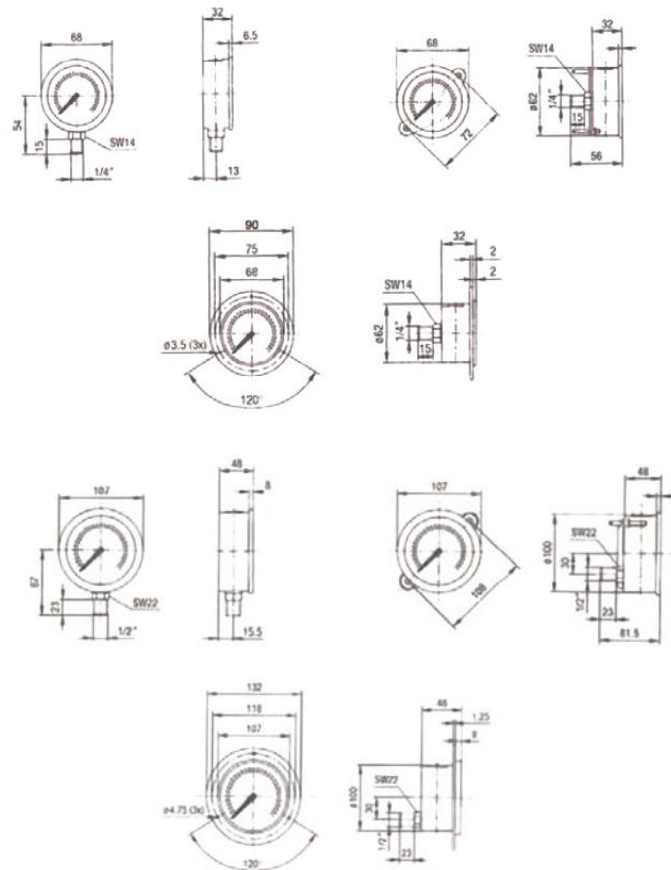
电气接线图



压差发讯装置 Differential Pressure Indicators

性能参数 Specifications

保护类别:IP65/EN 60 529/iec 529
精度等级:1.6(+/-1.6% FS按EN837-1)1.0(+/-1.0% FS按EN837-1)
环境温度:-20°C~+60°C
测量介质温度:最高+80°C



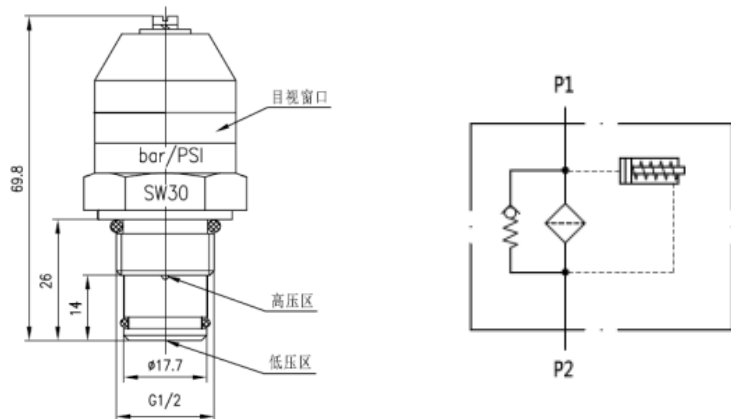
压差发讯装置 Differential Pressure Indicators

目视压差发讯器(G $\frac{1}{2}$ ")

工作压力: 至420 bar

接口: G $\frac{1}{2}$ "

密封: 丁腈橡胶, -10°C至100°C



型号	接口	发讯值
2PV	G $\frac{1}{2}$ "	2 bar
5PV	G $\frac{1}{2}$ "	5 bar
8PV	G $\frac{1}{2}$ "	8 bar

* 发讯值 $\pm 10\%$

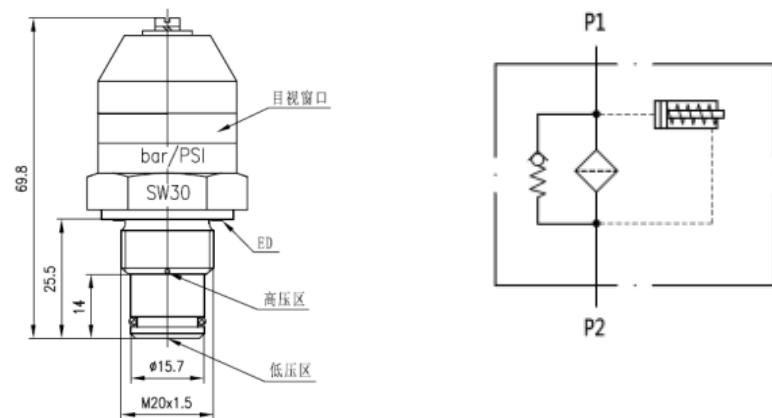
压差发讯装置 Differential Pressure Indicators

目视压差发讯器 (M20x1.5)

工作压力: 至420 bar

接口: M20x1.5

密封: 丁腈橡胶, -10°C至100°C



型号	接口	发讯值
V13	M20x1.5	1.3 bar
V20	M20x1.5	2 bar
V50	M20x1.5	5 bar
V80	M20x1.5	8 bar
V25	M20x1.5	2.5 bar

* 发讯值 $\pm 10\%$

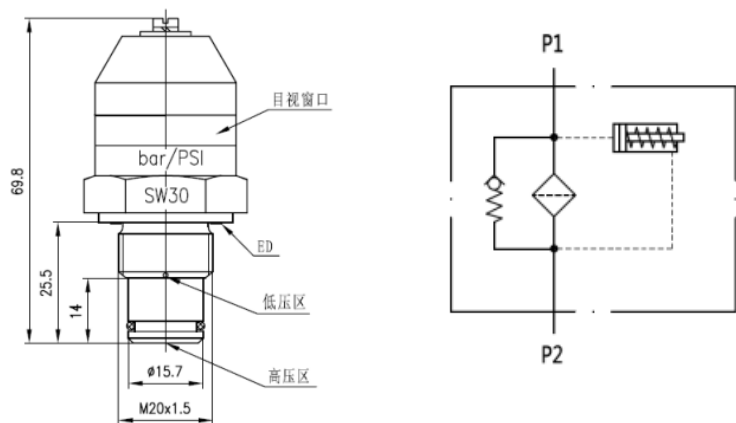
压差发讯装置 Differential Pressure Indicators

目视压差发讯器(M20x1.5)

工作压力: 至420 bar

接口: M20x1.5

密封: 丁腈橡胶, -10°C至100°C



型号	接口	发讯值
X25	M20x1.5	2.5 bar
X50	M20x1.5	5 bar

* 发讯值± 10 %

压差发讯装置 Differential Pressure Indicators

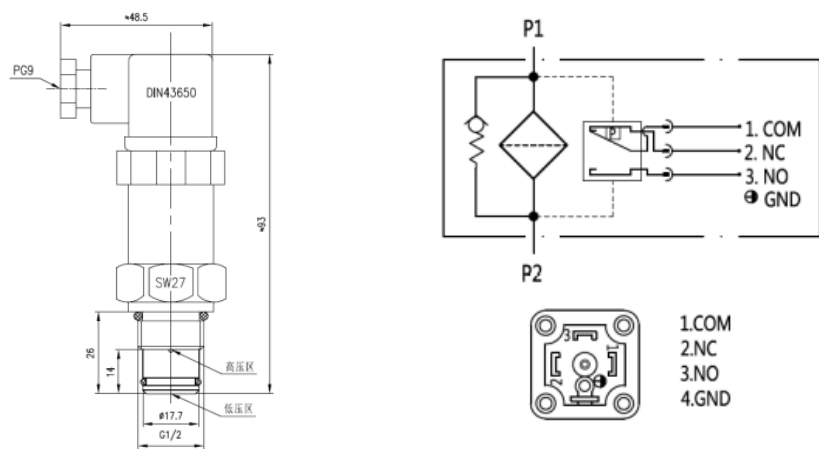
电式压差发讯器(G ½")

工作压力: 至420 bar

密封: 丁腈橡胶, -10°C至100°C

防护等级: IP65

电气参数: 250 V AC, 1A



型号	接口	发讯值
2PE	G ½"	2 bar
5PE	G ½"	5 bar
8PE	G ½"	8 bar

* 发讯值± 10 %

压差发讯装置 Differential Pressure Indicators

压差发讯器带温度开关(M20x1.5)

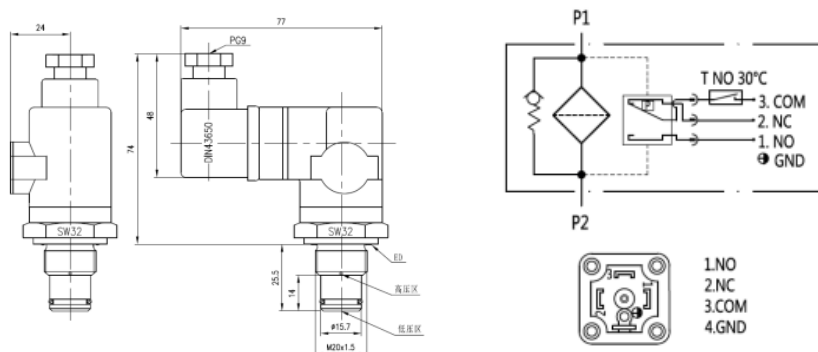
工作压力: 至420 bar

密封: 丁腈橡胶, -10°C至100°C

防护等级: IP65

电气参数: 250 V AC, 1A

温度开关: 超过30°C 后触点接通



型号	接口	发讯值
E20T	M20x1.5	2 bar
E50T	M20x1.5	5 bar

* 发讯值 ± 10 %

压差发讯装置 Differential Pressure Indicators

目/电式压差发讯器(G ½")

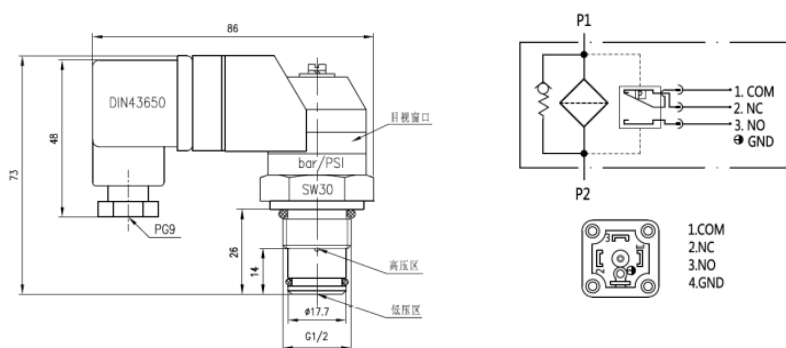
工作压力: 至420 bar

接口: G ½"

密封: 丁腈橡胶, -10°C至100°C

防护等级: IP65

电气参数: 250 V AC, 1A



型号	接口	发讯值
2PE	G ½"	2 bar
5PE	G ½"	5 bar
8PE	G ½"	8 bar

* 发讯值 ± 10 %

压差发讯装置 Differential Pressure Indicators

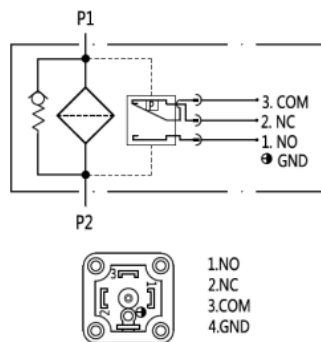
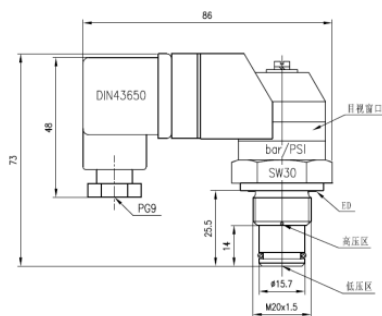
目/电式压差发讯器(M20x1.5)

工作压力: 至420 bar

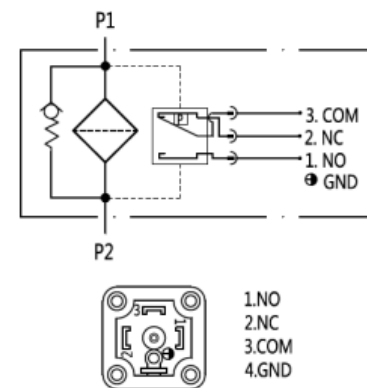
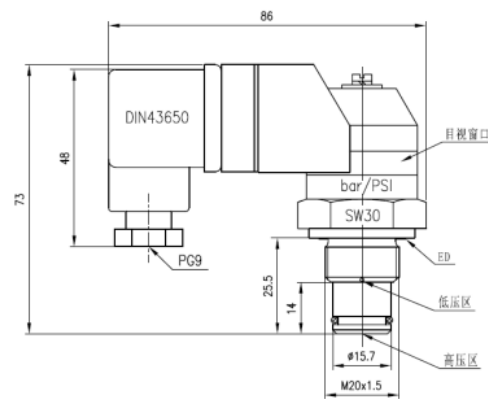
密封: 丁腈橡胶, -10°C至100°C

防护等级: IP65

电气参数: 250 V AC, 1A



压差发讯装置 Differential Pressure Indicators



型号	接口	发讯值
E13	M20x1.5	1.3 bar
E20	M20x1.5	2 bar
E25	M20x1.5	2.5 bar
E50	M20x1.5	5 bar
E80	M20x1.5	8 bar

* 发讯值± 10 %

型号	接口	发讯值
Y25	M20x1.5	2.5 bar
Y50	M20x1.5	5 bar

* 发讯值± 10 %

压差发讯装置 Differential Pressure Indicators

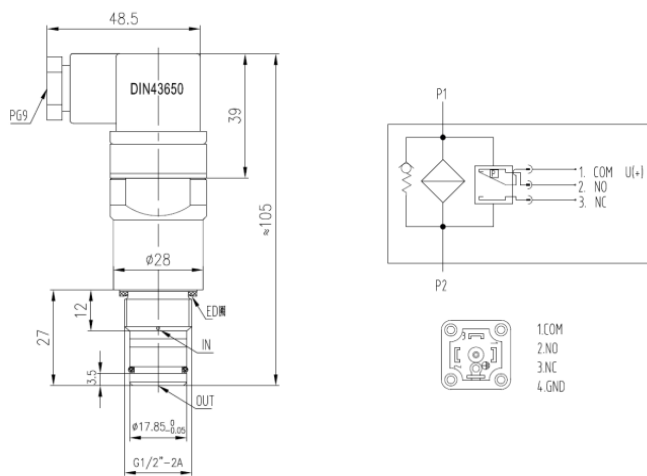
压差发讯器带LED灯(G 1/2")

工作压力: 至420 bar

密封: 丁腈橡胶, -10°C至100°C

防护等级: IP65

电气参数: 250 VAC, 3A



型号	接口	发讯值
1.3PL	G 1/2"	1.3 bar
2PL	G 1/2"	2 bar
2.5PL	G 1/2"	2.5 bar
5PL	G 1/2"	5 bar
8PL	G 1/2"	8 bar

* 发讯值± 10 %

压差发讯装置 Differential Pressure Indicators

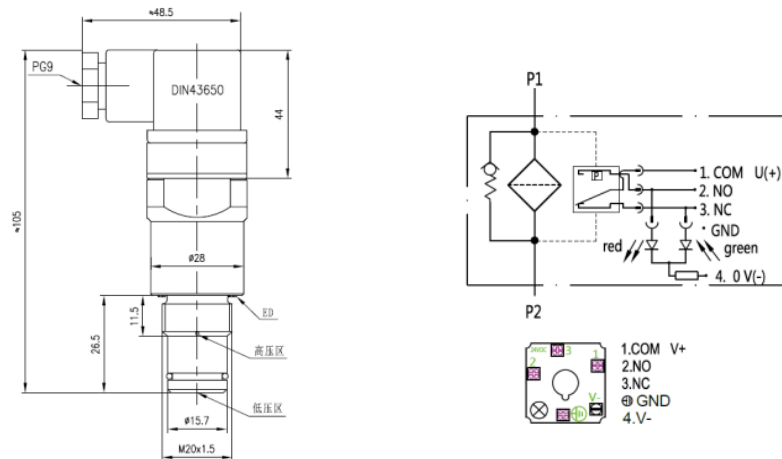
压差发讯器带LED灯(M20x1.5)

工作压力: 至420 bar

密封: 丁腈橡胶, -10°C至100°C

防护等级: IP65

电器参数: 24 VDC, 10W



型号	接口	发讯值
L13	M20x1.5	1.3 bar
L20	M20x1.5	2 bar
L25	M20x1.5	2.5 bar
L50	M20x1.5	5 bar
L80	M20x1.5	8 bar

* 发讯值± 10 %